

eloma

Sparepart list

Combi Steamers Multimax A-B

Genius

Genius Gaz



PLATONSERVICE

8 (800) 500 31 41

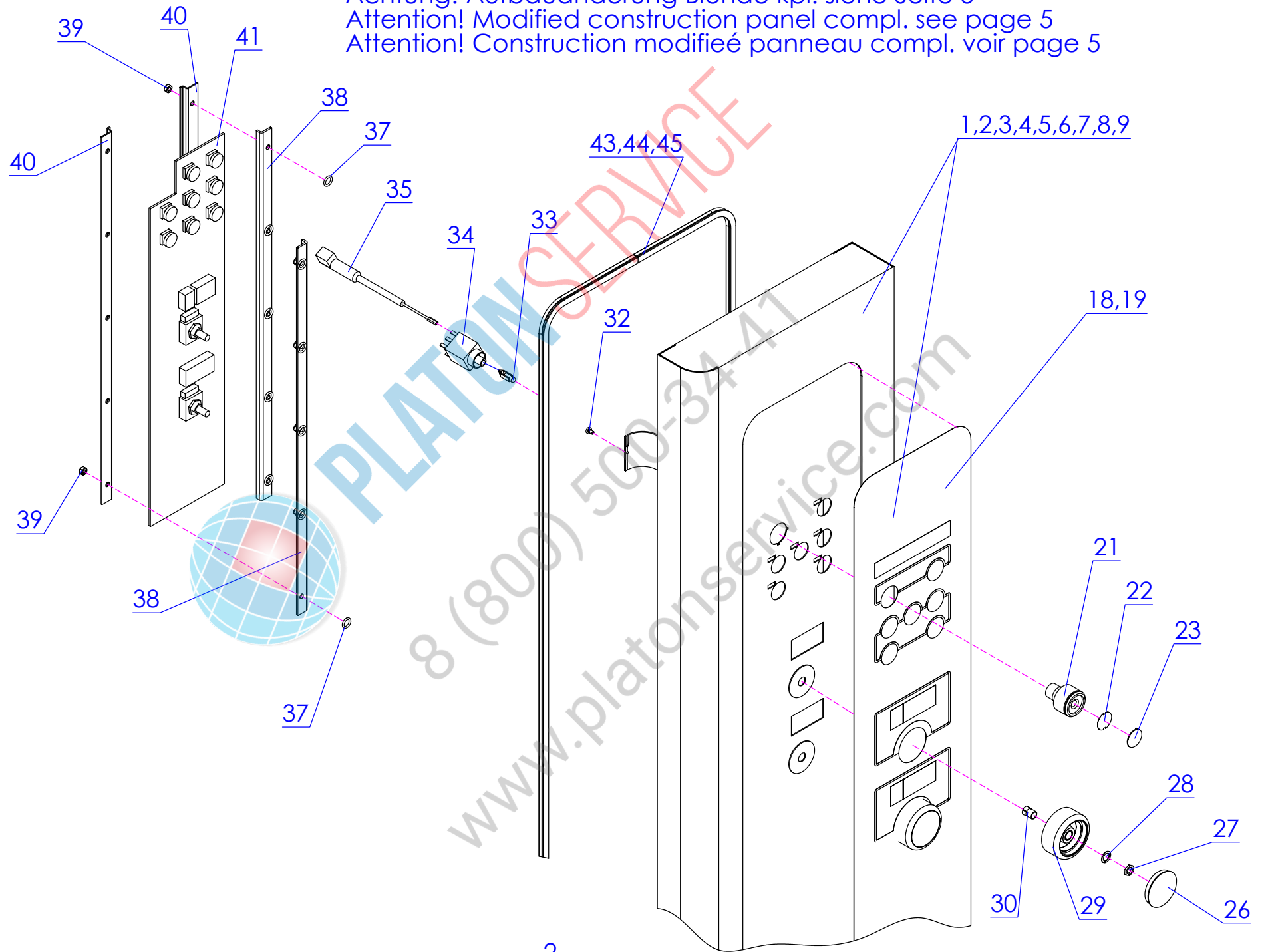
www.platonservice.com

MA /MB/Genius /Genius Gaz/ 6-11 10-11 20-11

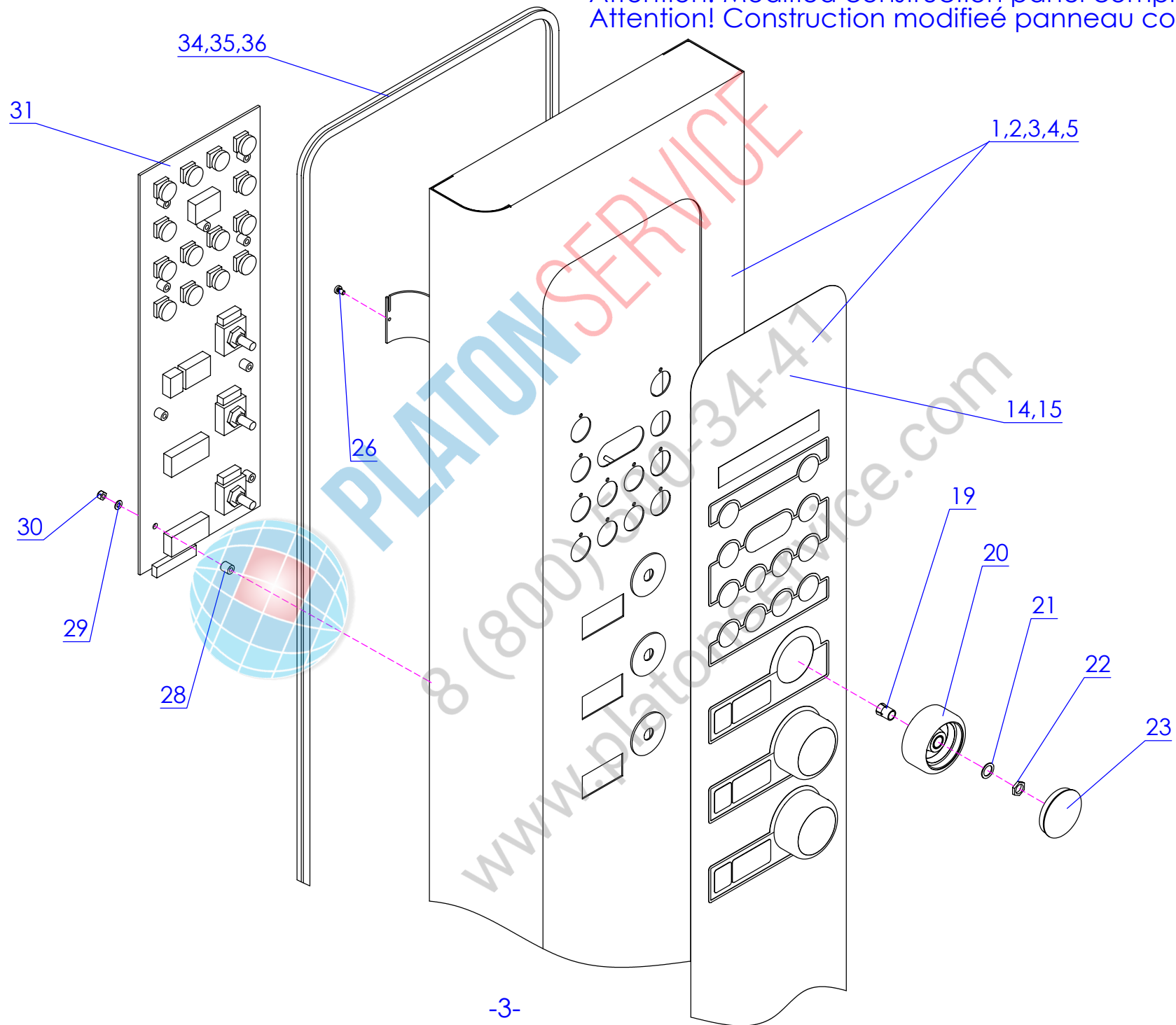
Pos.	Article no.	Description	Genius Gaz	Multimax A	Multimax B	Genius	Autoclean	6-11	10-11	20-11
1	741604	Case lid 6/10-11 hinged right d2k		●	●	●	●	●	●	
2	740942	Case lid 6/10-11 hinged left d2k		●	●	●	●	●	●	
3	741825	Case lid 20-11 d2k		●	●	●	●			●
4	741175	Countersunk screw M6x20 DIN 7991	●	●	●	●	●	●	●	
5	768413	Hing but compl. d2k 610-11	●	●	●	●	●	●	●	
6	e503081	Countersunk screw DIN7991 M8 x 20, V2	●	●	●	●	●	●	●	
7	741434	Cam, door hinge topside 6/10-11 d2k	●	●	●	●	●	●	●	
8	741159	Side panel 6-11 d2k	●	●	●	●	●	●		
9	741655	Side panel 10-11 d2k	●	●	●	●	●		●	
10	741043	Side panel 20-11 d2k	●	●	●	●	●		●	
11	745936	Upper hinge butt 2011/1221/	●	●	●	●	●	●	●	
13	e500046	Hexagon cap screw ISO4017 M8 x 20 V2	●	●	●	●	●	●	●	
14	e510016	Toothed disk DIN 6797 J 8,4 V2A	●	●	●	●	●	●	●	
15	e505033	Hexagonal nut ISO 4032 M8 V2A DI	●	●	●	●	●	●	●	
16	772437	Lower hinge butt 20-11,12/20	●	●	●	●	●	●	●	
17	740292	Hang-in rack 6-11 d2k right GN	●	●	●	●	●	●		
18	740357	Hang-in rack 1011 d2k right GN	●	●	●	●	●	●	●	
19	740306	Hang-in rack 6-11 d2k left GN	●	●	●	●	●	●		
20	740365	Hang-in rack 1011 d2k left GN	●	●	●	●	●	●	●	
21	752002	Door 611 hinged right d2k	●	●	●	●	●	●	●	
22	752010	Door 611 hinged left d2k	●	●	●	●	●	●	●	
23	752169	Door 1011 hinged right d2k	●	●	●	●	●	●	●	
24	752371	Door 1011 hinged left d2k	●	●	●	●	●	●	●	
25	755567	Door 2011 hinged right d2k	●	●	●	●	●	●	●	
26	760749	Fat filter 6/11 - 20/11 d2k	●	●	●	●	●	●	●	
27	e418021	Protective grid, MD/MMD 20-21 D 35	●	●	●	●	●	●	●	
28	743291	Air conducting sheet cpl. right 6-11 d	●	●	●	●	●	●	●	
29	740438	Air conducting sheet left compl. 6-11	●	●	●	●	●	●	●	
30	743305	Air conducting sheet comp right 10-11	●	●	●	●	●	●	●	
31	740837	Air conducting sheet left compl. 10-11	●	●	●	●	●	●	●	
32	746029	Air conducting sheet 2011 d2k	●	●	●	●	●	●	●	
34	e401033	Cam disk, door bearing 20-11 / 20-11	●	●	●	●	●	●	●	
35	744824	Foot d2k 6/10-11	●	●	●	●	●	●	●	
36	e306005	Screwing PG 16, plastic	●	●	●	●	●	●	●	
37	e306007	Screwing PG 36, grey with counte	●	●	●	●	●	●	●	
38	742368	Door sealing silicon frame 6-11	●	●	●	●	●	●	●	
39	742376	Door sealing, silicon frame 10-11	●	●	●	●	●	●	●	
40	742384	Door sealing, silicon frame 20-11	●	●	●	●	●	●	●	

Pos.	Article no.	Description	Genius Gaz	Multimax A	Multimax B	Genius	Autoclean	6-11	10-11	20-11
41	e475112	Motor compartment 12-21	●	●	●	●	●	●	●	
42	741093	Side panel left 20-11 d2k	●	●	●	●	●	●	●	
43	745049	Back wall 20-11 d2k	●	●	●	●	●	●	●	
44	e412131	Eccentric bearing EB	●	●	●	●	●	●	●	
45	e500278	Hexagon cap screw M8x30 ISO 4017	●	●	●	●	●	●	●	
46	e512066	Cylindrical pin DIN 7 4x6x12 Niro	●	●	●	●	●	●	●	
47	e512039	Retaining plate - door bearing ED	●	●	●	●	●	●	●	
49	e418054	Drain sieve ED 6/10-11	●	●	●	●	●	●	●	
50	e418053	Drain sieve ED 20-11/ 20-21/12-2	●	●	●	●	●	●	●	
51	751782	Filter air shaft d2k	●	●	●	●	●	●	●	
52	760455	Cover 61011 gas d2k hinged righ	●	●	●	●	●	●	●	
53	760447	Cover 61011 gas hinged left d2k	●	●	●	●	●	●	●	
54	771724	Housing lid 20-11 gas d2k	●	●	●	●	●	●	●	
55	742198	Drip tray 61011 compl. d2k	●	●	●	●	●	●	●	
56	751995	Drip tray assembled 61011 d2k	●	●	●	●	●	●	●	
57	e505077	Disk nut M4 A 2	●	●	●	●	●	●	●	
58	e508005	Washer DIN 125 A 3,2 V2A	●	●	●	●	●	●	●	
59	e500191	Oval-head screw DIN 7985, I	●	●	●	●	●	●	●	
60	744670	Plug drip tray 6/10-11 d2k	●	●	●	●	●	●	●	
61	757926	Silicone gasket drip tray d2k	●	●	●	●	●	●	●	
62	e416076	Pressure spring drip tray 6/10-11 d2k	●	●	●	●	●	●	●	
63	e500044	Hexagon cap screw ISO4017 M6 x 12 V2	●	●	●	●	●	●	●	
64	e508033	Washer DIN 9021 A 6,4 V2A	●	●	●	●	●	●	●	
65	761087	Front cover compl. banquet sy	●	●	●	●	●	●	●	
66	745693	Front cover compl. 61011 d2k	●	●	●	●	●	●	●	
67	e600453	AG potential equalisation d2k	●	●	●	●	●	●	●	
68	772453	Cam disk, bottom d2k 12/20-21	●	●	●	●	●	●	●	
69	758868	Locking washer	●	●	●	●	●	●	●	
70	e500196	mushroom head square neck bolt	●	●	●	●	●	●	●	
71	e510013	Toothed disk DIN 6797 J 4,3 V2A	●	●	●	●	●	●	●	
72	e508031	Washer DIN 9021 A 4,3 V2A	●	●	●	●	●	●	●	
73	e500153	Oval flat-head screw M4 x 20 V2	●	●	●	●	●	●	●	
74	e510012	Fan disk DIN 6798 V 4,3 V2A	●	●	●	●	●	●	●	
75	e500178	Oval flat-head screw M4 x 12 V2	●	●	●	●	●	●	●	
76	771538	Flow safeguard 1221 2011 2021 gas d	●	●	●	●	●	●	●	
77	766682	Flow safeguard gas d2k	●	●	●	●	●	●	●	
78	757209	Cylindrical pin DIN 7 4m6x8 V2A	●	●	●	●	●	●	●	

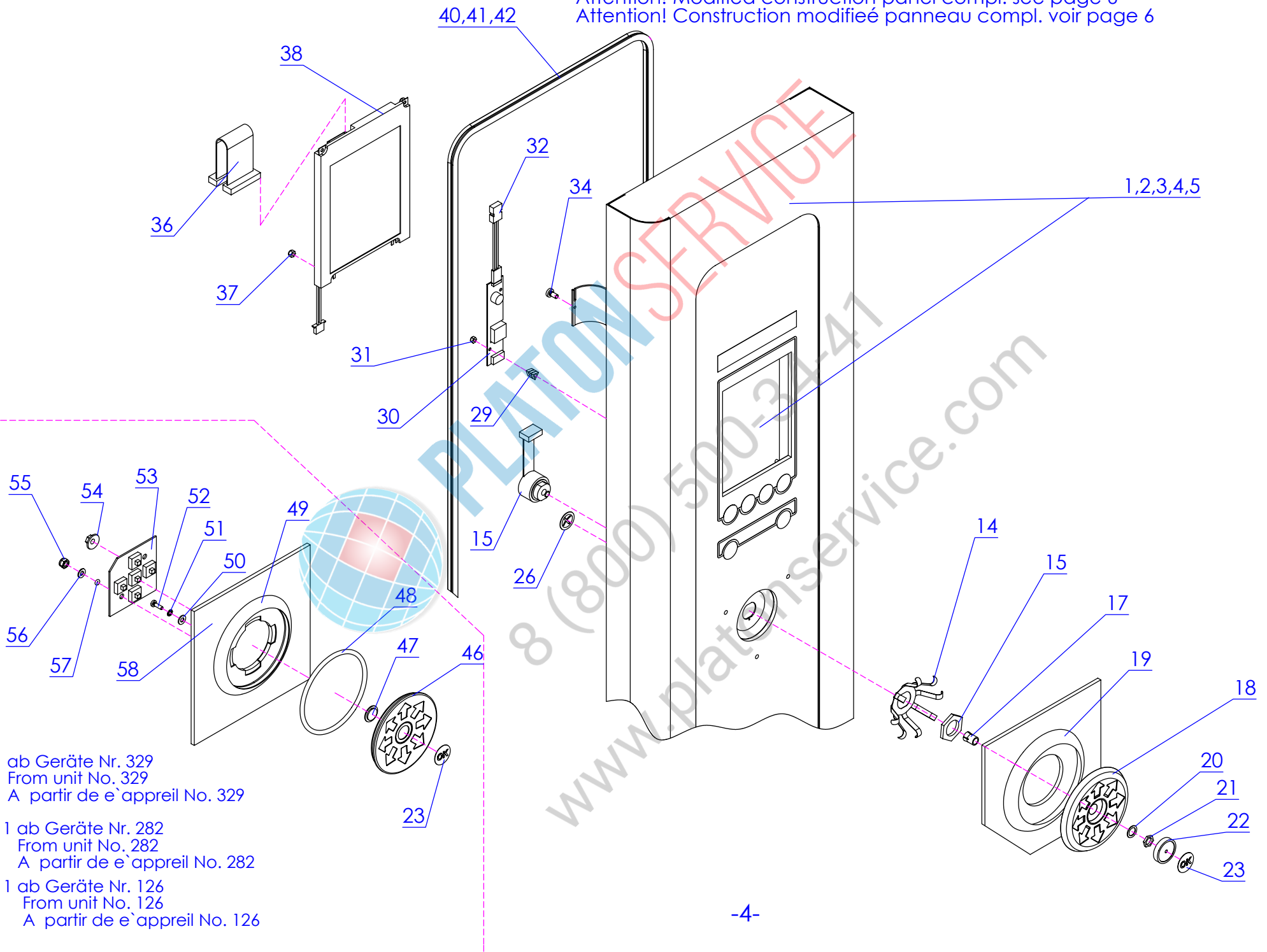
Achtung! Aufbauänderung Blende kpl. siehe Seite 5
Attention! Modified construction panel compl. see page 5
Attention! Construction modifié panneau compl. voir page 5



Achtung! Aufbauänderung Blende kpl. siehe Seite 6
Attention! Modified construction panel compl. see page 6
Attention! Construction modifié panneau compl. voir page 6



Achtung! Aufbauänderung Blende kpl. siehe Seite 6
 Attention! Modified construction panel compl. see page 6
 Attention! Construction modifiée panneau compl. voir page 6

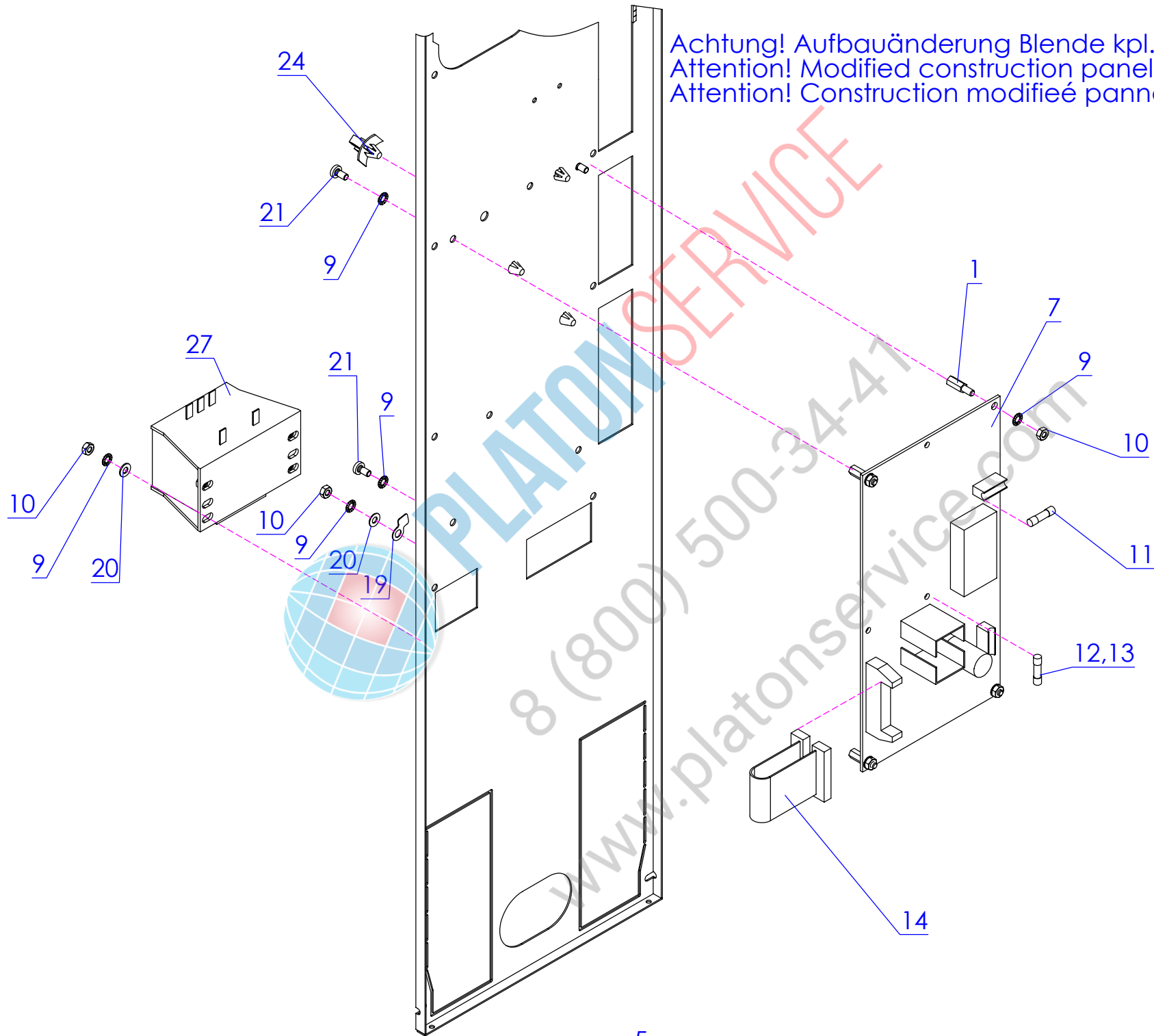


611 ab Geräte Nr. 329
 From unit No. 329
 A partir de e`appareil No. 329

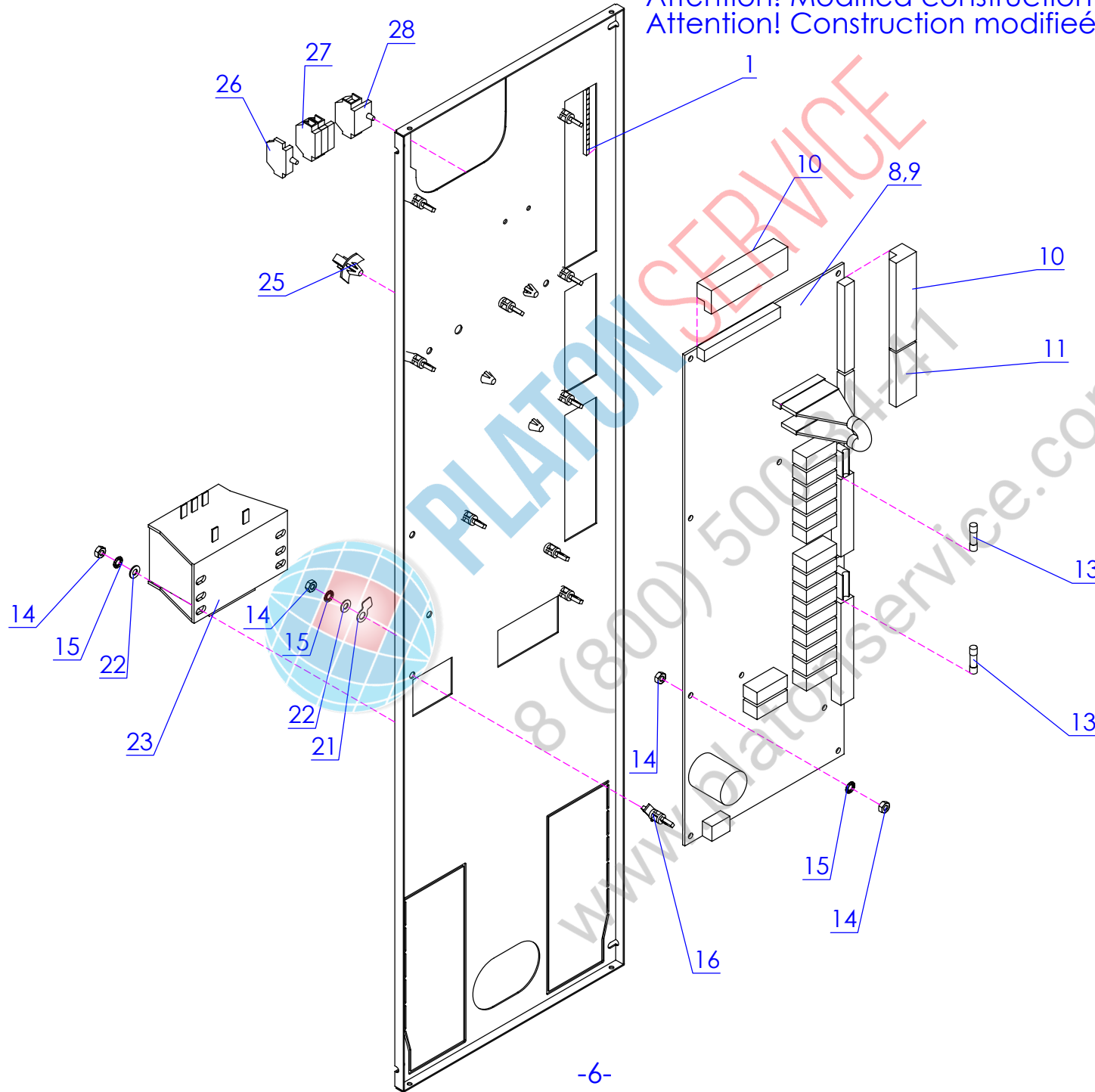
1011 ab Geräte Nr. 282
 From unit No. 282
 A partir de e`appareil No. 282

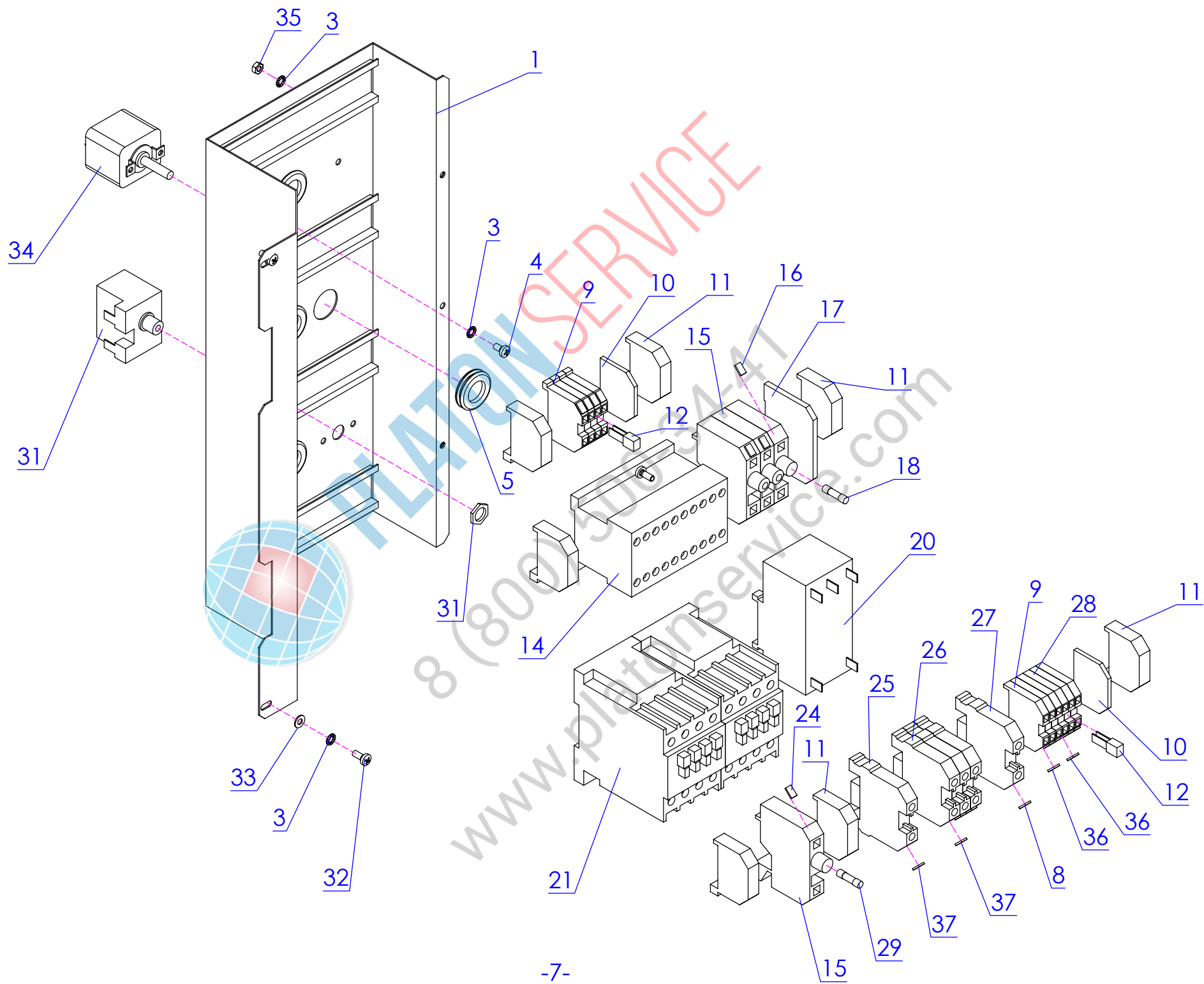
2011 ab Geräte Nr. 126
 From unit No. 126
 A partir de e`appareil No. 126

Achtung! Aufbauänderung Blende kpl. siehe Seite 2
Attention! Modified construction panel compl. see page 2
Attention! Construction modifié panneau compl. voir page 2



Achtung! Aufbauänderung Blende kpl. siehe Seite 3,4
Attention! Modified construction panel compl. see page 3,4
Attention! Construction modifié panneau compl. voir page 3,4

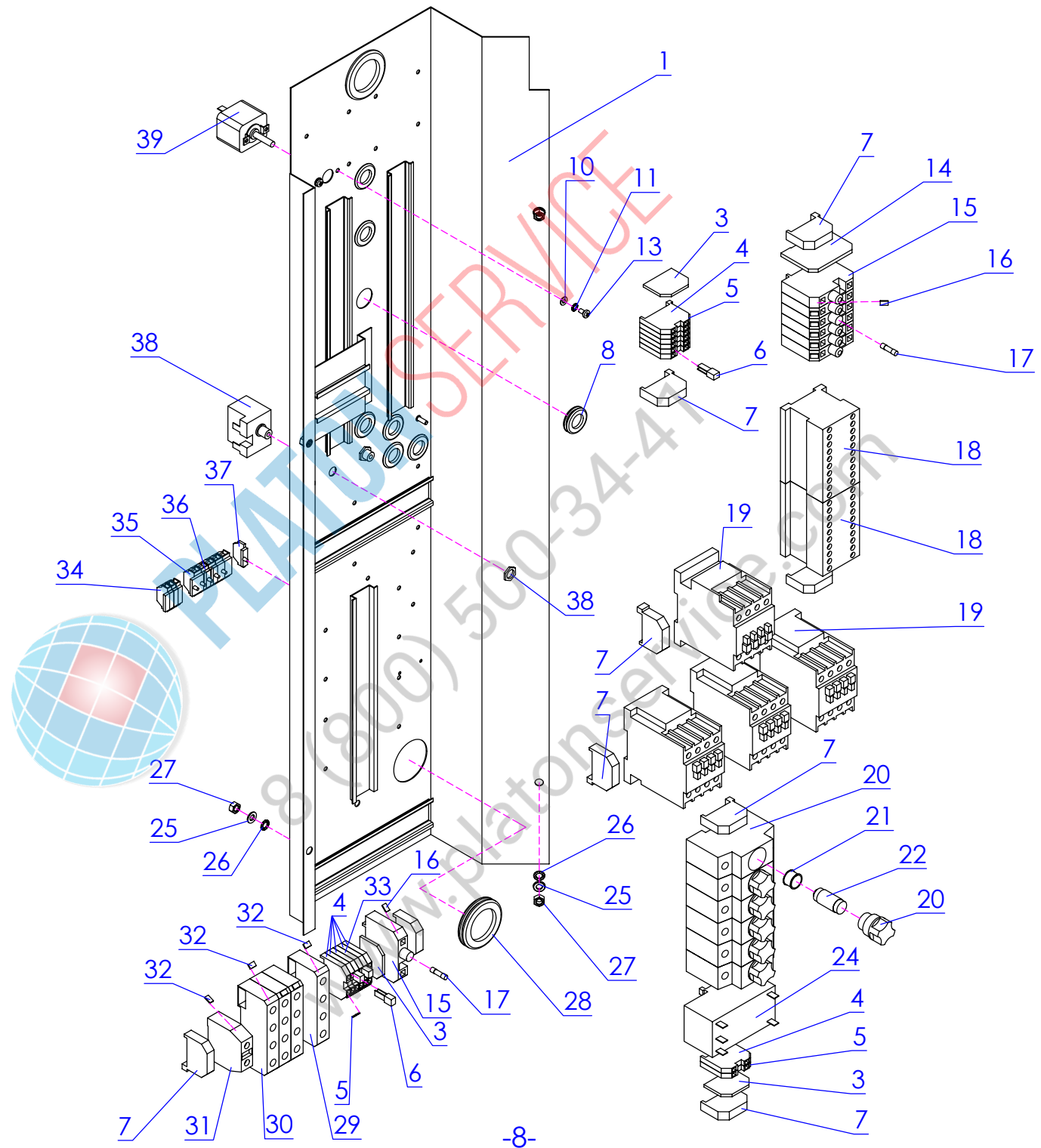




MA /MB/Genius /Genius Gaz/ 6-11 10-11 20-11

Pos.	Article no.	Description	Genius Gaz	Multimax A	Multimax B	Genius	Autoclean	6-11	10-11	20-11
1	744514	Electric mounting plate 6/10-11 hin	●				●	●	●	
3	e510013	Toothed disk DIN 6797 J 4,3 V2A	●				●	●	●	
4	e500091	Oval-head screw DIN 7985 N	●				●	●	●	
5	e306019	Rubber socket black PG 16	●				●	●	●	
8	e362045	Designation strip "L1-PE"	●				●	●	●	
9	e371022	Universal clamp grey 4qmm	●				●	●	●	
10	e371025	End plate for universal clamp 4qm	●				●	●	●	
11	e371010	End clamp for rail 35 DIN	●				●	●	●	
12	e371014	Cross bridge 4qmm 281	●				●	●	●	
14	e324023	Turning contactor 230 V 50/6	●				●	●	●	
15	e373009	Fuse clamp 35 DIN	●				●	●	●	
16	e362068	Designation strip "10 A"	●				●	●	●	
17	e371009	End plate fuse clamp	●				●	●	●	
18	e375002	Fine fuse 10 A slow 5 x 20 mm	●				●	●	●	
20	742767	Interference filter d2k voltage sup	●				●	●	●	
21	e324002	Contactur DSL 23-10 230 V 50 H	●				●	●	●	
24	e362067	Designation strip "2A"	●				●	●	●	
25	e371069	Neutral conductor clamp blue 10qmm	●				●	●	●	
26	e371064	Transit clamp grey, 10qmm 10 qmm	●				●	●	●	
27	e371063	Protective conductor clamp 10 q	●				●	●	●	
28	e371021	Universal clamp blue 4qmm	●				●	●	●	
29	e375007	Fine fuse 2 A slow 5 x 20 mm	●				●	●	●	
31	e336029	Safety thermal release 1-pole 360	●				●	●	●	
32	e500098	Oval-head screw DIN 7985 M 4x10 V2A	●				●	●	●	
33	e508012	Washer DIN 125 A 4,3 V2A	●				●	●	●	
34	e334007	Thermostat 250 C one pole	●				●	●	●	
35	e505031	Hexagonal nut ISO 4032 M4 V2A DI	●				●	●	●	
36	e362070	Designation strip "" = connection	●				●	●	●	
37	e362044	Designation strip "L1-PE"	●				●	●	●	
####	753483	Harness control MA 6/1011 d2k	●				●	●	●	
####	755044	Harness controls MA 61011 hinged left	●				●	●	●	
####	753629	Harness illumination 6-11 d2k	●				●	●	●	
####	e302002	Connection cable 5 x 1,50 compl	●				●	●	●	
####	e302004	Connecting cable 5 x 2,5	●				●	●	●	
####	753637	Harness illumination 1011 d2k	●				●	●	●	

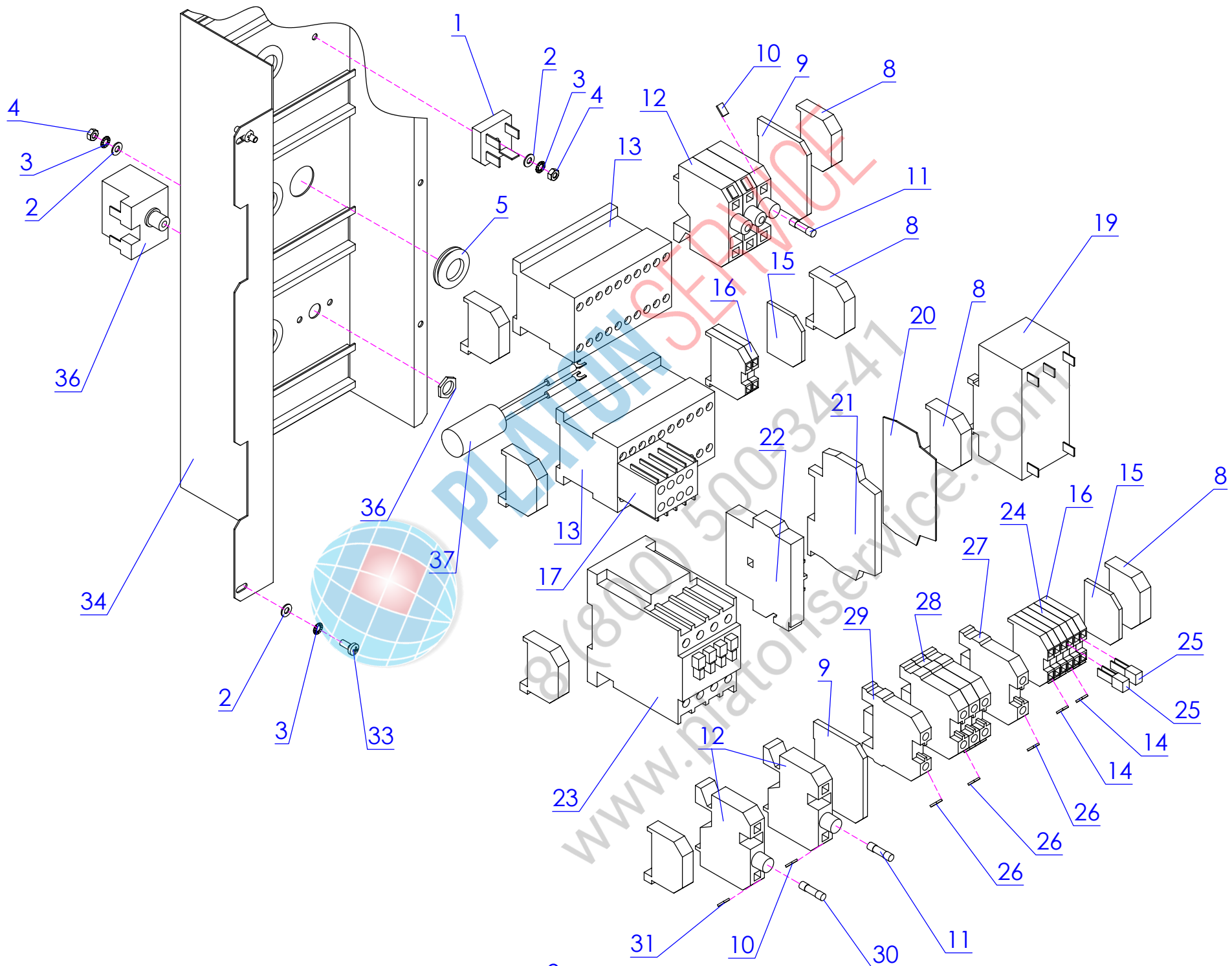
Pos.	Article no.	Description	Genius Gaz	Multimax A	Multimax B	Genius	Autoclean	6-11	10-11	20-11



MA /MB/Genius /Genius Gaz/ 6-11 10-11 20-11

Pos.	Article no.	Description	Genius Gaz	Multimax A	Multimax B	Genius	Autoclean	6-11	10-11	20-11
1	751901	Electric mounting plate 20-11 d2k	●							●
3	e371025	End plate for universal clamp 4qm	●							●
4	e371022	Universal clamp grey 4qmm	●							●
5	e362070	Designation strip "" = connection	●							●
6	e371014	Cross bridge 4qmm 281	●							●
7	e371010	End clamp for rail 35 DIN	●							●
8	e306019	Rubber socket black PG 16	●							●
10	e508012	Washer DIN 125 A 4,3 V2A	●							●
11	e510013	Toothed disk DIN 6797 J 4,3 V2A	●							●
13	e500091	Oval-head screw DIN 7985 M	●							●
14	e371009	End plate fuse clamp	●							●
15	e373009	Fuse clamp 35 DIN	●							●
16	e362068	Designation strip "10 A"	●							●
17	e375002	Fine fuse 10 A slow 5 x 20 mm	●							●
18	e324023	Turning contactor 230 V 50/6	●							●
19	e324002	Contacteur DSL 23-10 230 V 50 H	●							●
20	e373028	safety element	●							●
21	e373021	Insert 35 A	●							●
22	e375013	Safety fuse 35 A Neozet	●							●
24	742767	Interference filter d2k voltage sup	●							●
25	e508013	Washer DIN 125 A 6,4 V2A	●							●
26	e510015	Toothed disk DIN 6797 J 6,4 V2A	●							●
27	e505032	Hexagonal nut ISO 4032 M6 V2A DI	●							●
28	e306025	Spout DG 36	●							●
29	751898	Terminal 35 qmm 3x10 qmm	●							●
30	751871	Terminal 35 qmm 3x10 qmm	●							●
31	e371035	PE clamp 35 qmm g/y	●							●
32	e362044	Designation strip "L1-PE"	●							●
33	e371021	Universal clamp blue 4qmm	●							●
34	e371041	Clamp grey 2 conductors with flange	●							●
35	e371037	Clamp grey 4 conductors	●							●
36	e371036	Clamp blue 4 conductors blue	●							●
37	e371039	End plate	●							●
38	e336029	Safety thermal release 1-pole 360	●							●
39	e334007	Thermostat 250 C one pole	●							●
####	e362047	Label SICOTRONIC 26x52 m attention vc	●							●
####	755087	Harness controls MA 2011 hinged righ	●							●
####	753645	Harness illumination 20-11 20-2	●							●

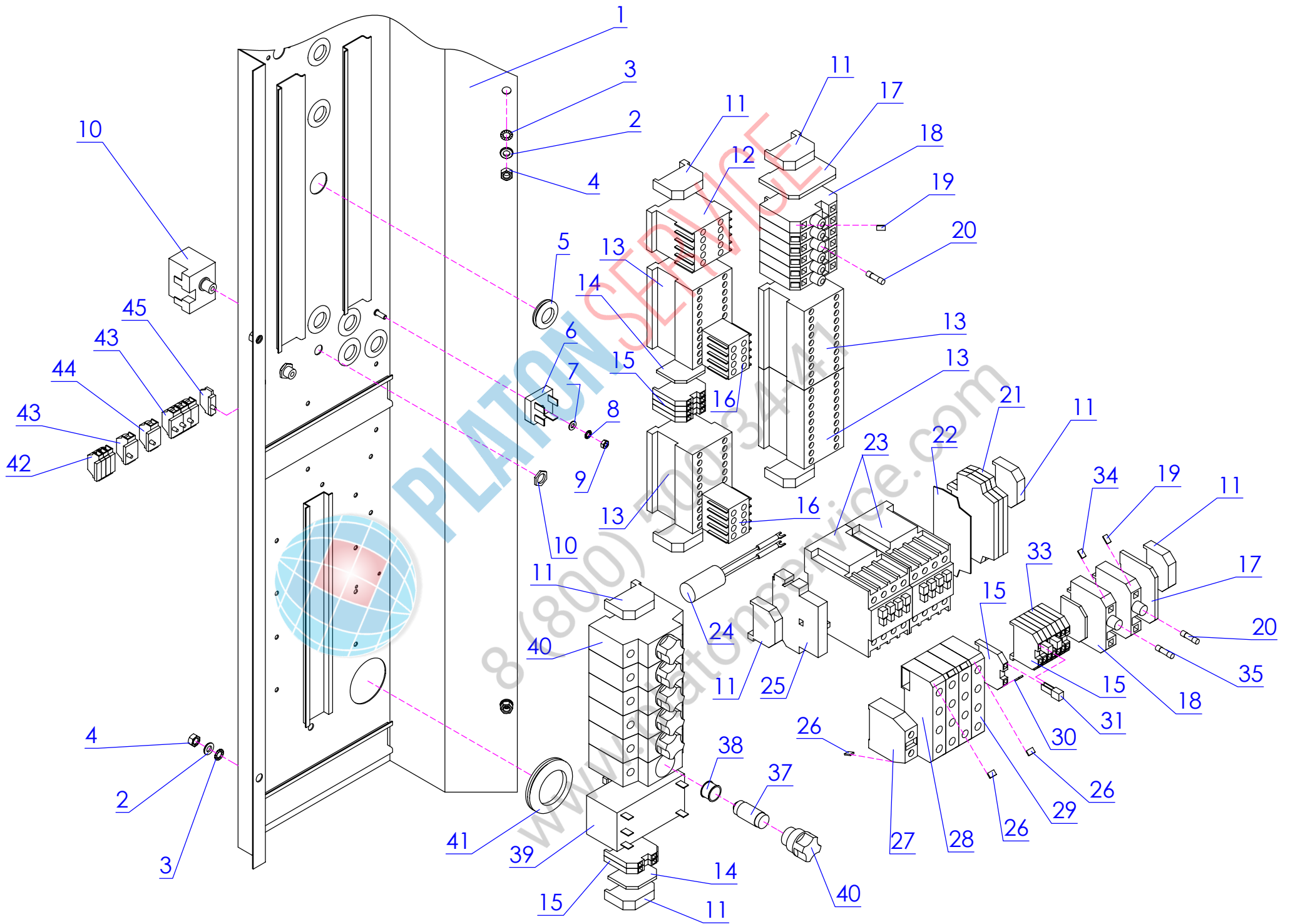
Pos.	Article no.	Description	Genius Gaz	Multimax A	Multimax B	Genius	Autoclean	6-11	10-11	20-11



MA /MB/Genius /Genius Gaz/ 6-11 10-11 20-11

Pos.	Article no.	Description	Genius Gaz	Multimax A	Multimax B	Genius	Autoclean	6-11	10-11	20-11
1	e308056	Bridge rectifier			●	●	●	●	●	
2	e508012	Washer DIN 125 A 4,3	V2A			●	●	●	●	
3	e510013	Toothed disk DIN 6797	J 4,3 V2A			●	●	●	●	
4	e505031	Hexagonal nut ISO 4032	M4 V2A DI			●	●	●	●	
5	e306019	Rubber socket black PG 16				●	●	●	●	
8	e371010	End clamp for rail 35 DIN				●	●	●	●	
9	e371009	End plate fuse clamp				●	●	●	●	
10	e362068	Designation strip "10 A"				●	●	●	●	
11	e375002	Fine fuse 10 A slow	5 x 20 mm			●	●	●	●	
12	e373009	Fuse clamp 35 DIN				●	●	●	●	
13	e324023	Turning contactor	230 V 50/60			●	●	●	●	
14	e362070	Designation strip "" =	connection			●	●	●	●	
15	e371025	End plate for universal	clamp 4qmm			●	●	●	●	
16	e371022	Universal clamp grey 4qmm				●	●	●	●	
17	751790	Auxiliary switch block	3 closer, 1			●	●	●	●	
19	742767	Interference filter d2k	voltage sup			●	●	●	●	
20	752452	Intermediate end plate	d2k			●	●	●	●	
21	742813	Auxiliary relay 230 V				●	●	●	●	
22	751839	Auxiliary switch block	for ABB cor			●	●	●	●	
23	e324002	Contactor DSL 23-10	230 V 50 H			●	●	●	●	
24	e371021	Universal clamp blue 4qmm				●	●	●	●	
25	e371014	Cross bridge 4qmm 281				●	●	●	●	
26	e362044	Designation strip "L1-PE"				●	●	●	●	
27	e371063	Protective conductor	clamp 10 q			●	●	●	●	
28	e371064	Transit clamp grey, 10qmm	10 qmm			●	●	●	●	
29	e371069	Neutral conductor clamp	blue 10qmr			●	●	●	●	
30	e375009	Fine fuse 4 AT				●	●	●	●	
33	e500098	Oval-head screw DIN 7985	M 4x10 V2A			●	●	●	●	
34	744514	Electric mounting plate	6/10-11 hin			●	●	●	●	
36	e336029	Safety thermal release	1-pole 360			●	●	●	●	
37	e308077	Anti-interference capa-	citor RC 0,2			●	●	●	●	
####	e302002	Connection cable 5 x 1,50	compl			●	●	●	●	
####	e302004	Connecting cable 5 x 2,5				●	●			
####	753491	Harness control 6/10-11	MB/Genius			●	●	●	●	
####	753548	Harnais control Genius/MB	6/10-11 hin			●	●	●	●	
####	753688	Harness low voltage 1011	d2k			●	●	●	●	
####	753629	Harness illumination 6-11	d2k			●	●	●		
####	753637	Harness illumination 1011	d2k			●	●	●		

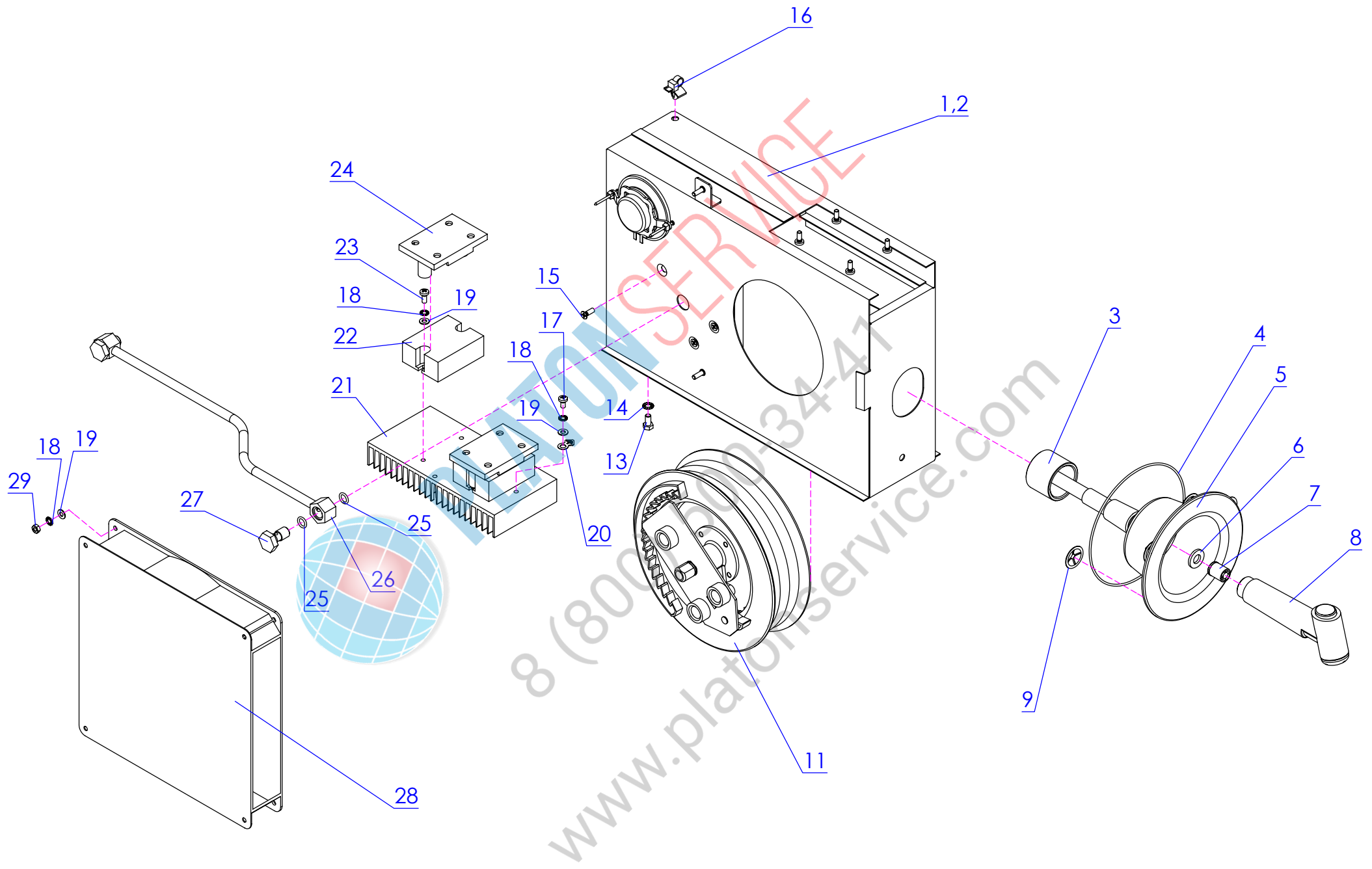
Pos.	Article no.	Description	Genius Gaz	Multimax A	Multimax B	Genius	Autoclean	6-11	10-11	20-11



MA /MB/Genius /Genius Gaz/ 6-11 10-11 20-11

Pos.	Article no.	Description							
			Genius Gaz	Multimax A	Multimax B	Genius	Autoclean	6-11	10-11
1	751901	Electric mounting plate 20-11 d2k							
2	e508013	Washer DIN 125 A 6,4 V2A							
3	e510015	Toothed disk DIN 6797 J 6,4 V2A							
4	e505032	Hexagonal nut ISO 4032 M6 V2A DI							
5	e306019	Rubber socket black PG 16							
6	e308056	Bridge rectifier							
7	e508012	Washer DIN 125 A 4,3 V2A							
8	e510013	Toothed disk DIN 6797 J 4,3 V2A							
9	e505031	Hexagonal nut ISO 4032 M4 V2A DI							
10	e336029	Safety thermal release 1-pole 360							
11	e371010	End clamp for rail 35 DIN							
12	752177	Auxiliary contactor 4 S							
13	e324023	Turning contactor 230 V 50/6							
14	e371025	End plate for universal clamp 4qm							
15	e371022	Universal clamp grey 4qmm							
16	751790	Auxiliary switch block 3 closer, 1							
17	e371009	End plate fuse clamp							
18	e373009	Fuse clamp 35 DIN							
19	e362068	Designation strip "10 A"							
20	e375002	Fine fuse 10 A slow 5 x 20 mm							
21	742813	Auxiliary relay 230 V							
22	752452	Intermediate end plate d2k							
23	e324002	Contact DSL 23-10 230 V 50 H							
24	e308077	Anti-interference capacitor RC 0,2							
25	751839	Auxiliary switch block for ABB cor							
26	e362044	Designation strip "L1-PE"							
27	e371035	PE clamp 35 qmm g/y							
28	751871	Terminal 35 qmm 3x10 qmm							
29	751898	Terminal 35 qmm 3x10 qmm							
30	e362070	Designation strip "" = connection							
31	e371014	Cross bridge 4qmm 281							
33	e371021	Universal clamp blue 4qmm							
34	e362067	Designation strip "2A"							
35	e375007	Fine fuse 2 A slow 5 x 20 mm							
37	e375013	Safety fuse 35 A Neozet							
38	e373021	Insert 35 A							
39	742767	Interference filter d2k voltage sup							
40	e373028	safety element							

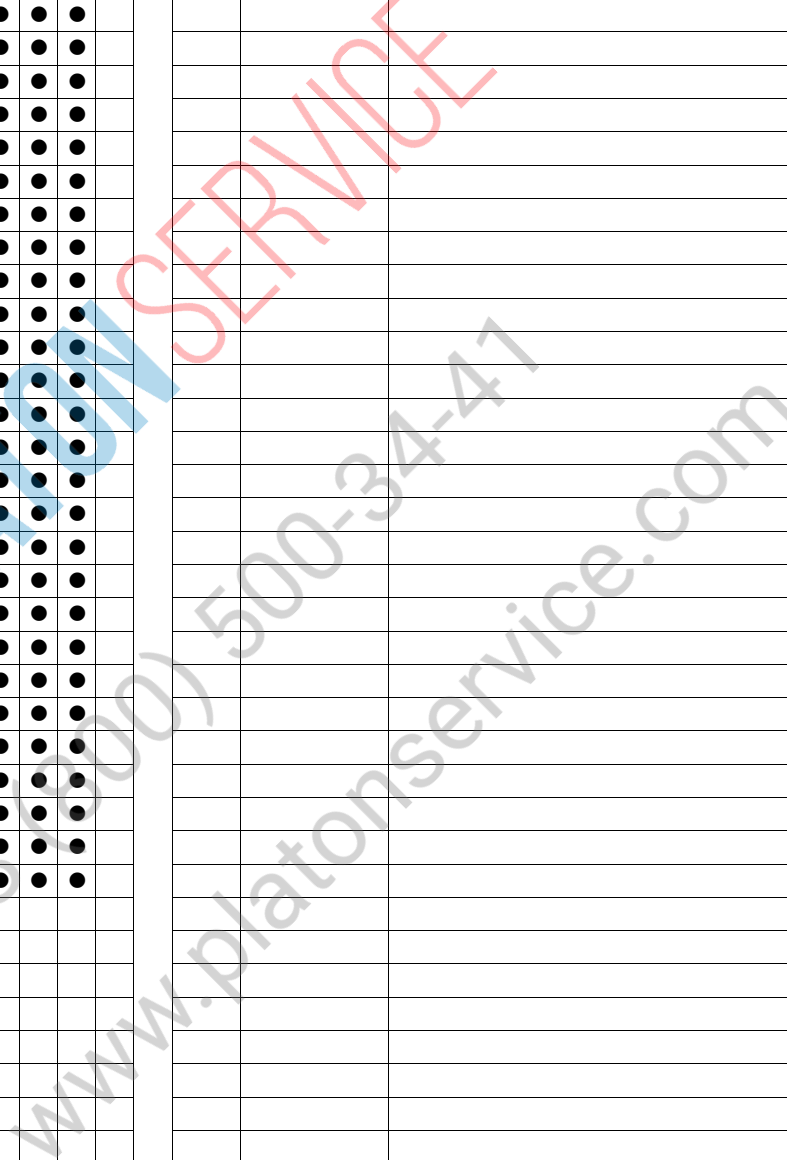
Pos.	Article no.	Description							
			Genius Gaz	Multimax A	Multimax B	Genius	Autoclean	6-11	10-11
41	e306025	Spout DG 36							
42	e371041	Clamp grey 2 conductors with flange							
43	e371037	Clamp grey 4 conductors							
44	e371036	Clamp blue 4 conductors blue							
45	e371039	End plate							
####	753505	Harness control d2k 2011							
####	753696	Harness low voltage 20-11 d2k							
####	753645	Harness illumination 20-11 20-2							

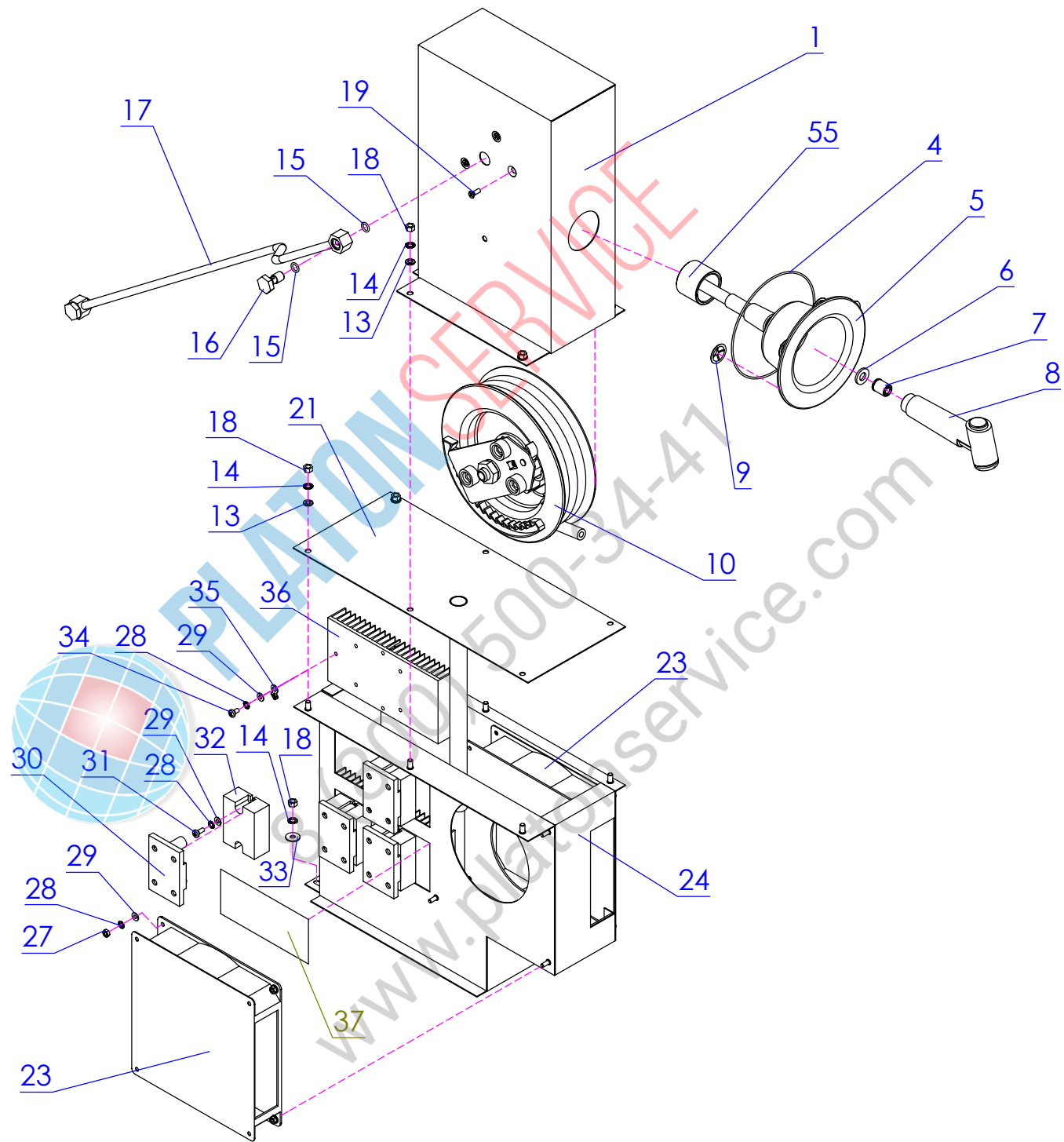


MA /MB/Genius /Genius Gaz/ 6-11 10-11 20-11

Pos.	Article no.	Description	Genius Gaz	Multimax A	Multimax B	Genius	Autoclean	6-11	10-11	20-11
1	744719	Housing tube roller d2k 6/10-11 hin	●	●	●	●	●	●	●	●
2	744778	Housing tube roller d2k 6/10-11 hin	●	●	●	●	●	●	●	●
3	753238	Funnel tube 61011 d2k (handshow	●	●	●	●	●	●	●	●
4	e425154	O - Ring 1,78 x 120,37 Viton	●	●	●	●	●	●	●	●
5	e380079	Funnel blue RAL 5003 holding sho	●	●	●	●	●	●	●	●
6	e425180	Packing, shower head	●	●	●	●	●	●	●	●
7	753459	Non-return valve Autoclean	●	●	●	●	●	●	●	●
8	e250059	Shower head compl. red ED	●	●	●	●	●	●	●	●
9	e512075	Spring nut d=4-7	●	●	●	●	●	●	●	●
11	753181	Tube roller 6/10-11 handshowe	●	●	●	●	●	●	●	●
13	e500041	Hexagon cap screw ISO4017 M5 x 10 V2	●	●	●	●	●	●	●	●
14	e510014	Toothed disk DIN 6797 J 5,3 V2A	●	●	●	●	●	●	●	●
15	e500136	Countersunk screw DIN 965 M6 x 12 V2	●	●	●	●	●	●	●	●
16	e422043	Cable binder	●	●	●	●	●	●	●	●
17	e500091	Oval-head screw DIN 7985 N	●	●	●	●	●	●	●	●
18	e510013	Toothed disk DIN 6797 J 4,3 V2A	●	●	●	●	●	●	●	●
19	e508012	Washer DIN 125 A 4,3 V2A	●	●	●	●	●	●	●	●
20	e362136	Sign "earthing"	●	●	●	●	●	●	●	●
21	742732	Cooling element 6/10/2011 d2k	●	●	●	●	●	●	●	●
22	752401	Load relay 50 A 6/10/20-11	●	●	●	●	●	●	●	●
23	e500098	Oval-head screw DIN 7985 M 4x10 V2	●	●	●	●	●	●	●	●
24	e324040	Cover relay d2k	●	●	●	●	●	●	●	●
25	e425026	O-ring D 9,25 x 1,78 EPDM	●	●	●	●	●	●	●	●
26	753246	Connecting tube 61011 hose roller	●	●	●	●	●	●	●	●
27	e440040	Hollow screw size 1	●	●	●	●	●	●	●	●
28	752274	Axial blower 6/1011 d2k	●	●	●	●	●	●	●	●
29	e505031	Hexagonal nut ISO 4032 M4 V2A DI	●	●	●	●	●	●	●	●

Pos.	Article no.	Description	Genius Gaz	Multimax A	Multimax B	Genius	Autoclean	6-11	10-11	20-11

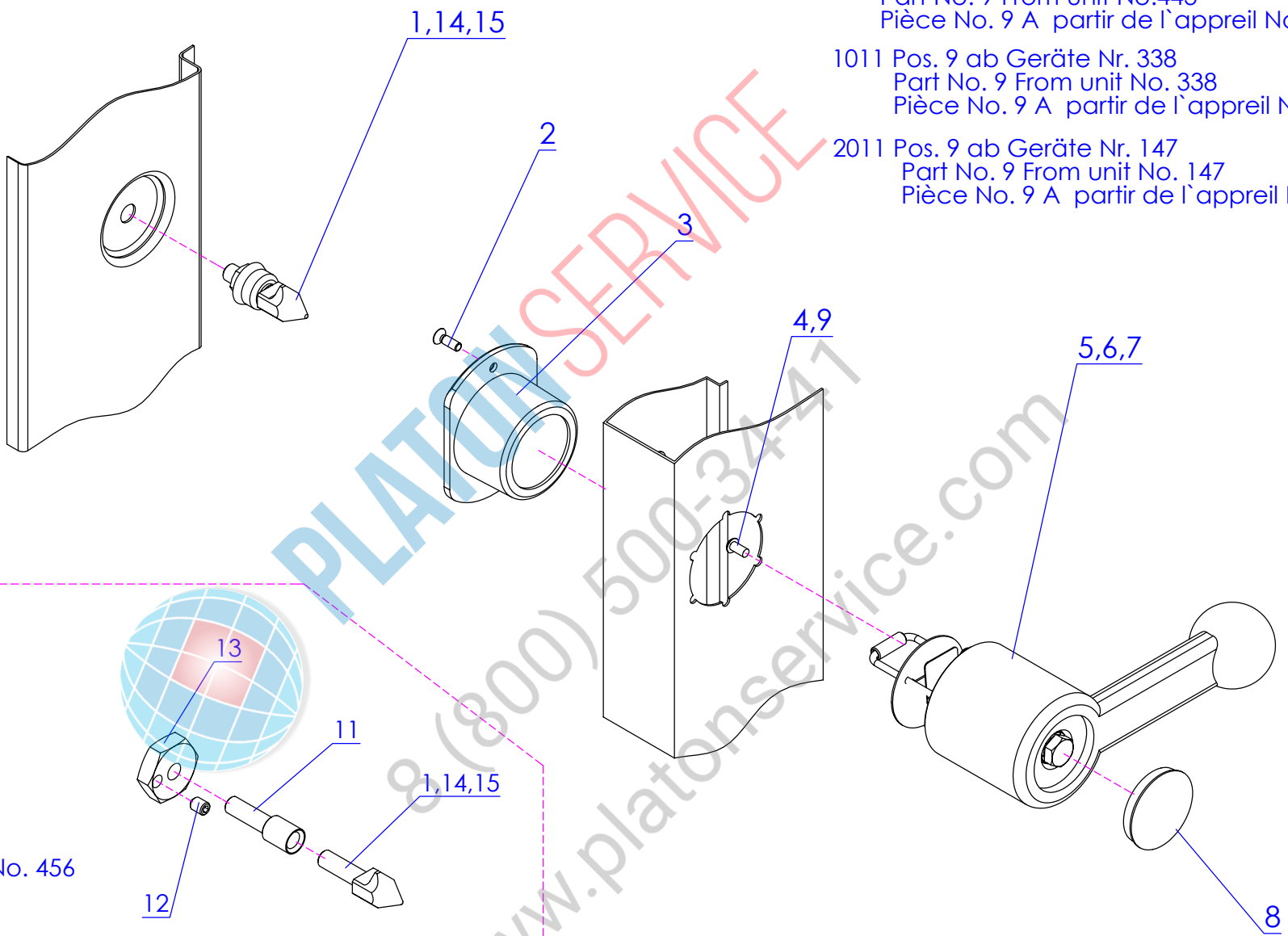




MA /MB/Genius /Genius Gaz/ 6-11 10-11 20-11

Pos.	Article no.	Description	Genius Gaz	Multimax A	Multimax B	Genius	Autoclean	6-11	10-11	20-11
1	755419	Housing tube roller 2011 d2k	●	●	●	●	●			●
3	753238	Funnel tube 61011 d2k (handshow)	●	●	●	●	●			●
4	e425154	O - Ring 1,78 x 120,37 Viton	●	●	●	●	●			●
5	e380079	Funnel blue RAL 5003 holding shc	●	●	●	●	●			●
6	e425180	Packing, shower head	●	●	●	●	●			●
7	753459	Non-return valve Autoclean	●	●	●	●	●			●
8	e250059	Shower head compl. red ED	●	●	●	●	●			●
9	e512075	Spring nut d=4-7	●	●	●	●	●			●
10	753289	Tube roller 20-11 12/2011 handshowe	●	●	●	●	●			●
13	e508002	Washer DIN 125 A 5,3 V2A	●	●	●	●	●			●
14	e510014	Toothed disk DIN 6797 J 5,3 V2A	●	●	●	●	●			●
15	e425026	O-ring D 9,25 x 1,78 EPDM	●	●	●	●	●			●
16	e440040	Hollow screw size 1	●	●	●	●	●			●
17	753300	Connecting tube 2011 hose roll-up	●	●	●	●	●			●
18	e505024	Hexagon nut ISO 4032 M 5 V2A D	●	●	●	●	●			●
19	e500136	Countersunk screw DIN 965 M6 x 12 V2	●	●	●	●	●			●
20	e505013	Hexagonal nut DIN 439 M14 x 1,5,	●	●	●	●	●			●
21	755443	Cover roll-up case handshowe	●	●	●	●	●			●
23	752525	Axial Blower 1221/2011/ 2021 d2k	●	●	●	●	●			●
24	755389	Air shaft 20-11 d2k	●	●	●	●	●			●
27	e505031	Hexagonal nut ISO 4032 M4 V2A DI	●	●	●	●	●			●
28	e510013	Toothed disk DIN 6797 J 4,3 V2A	●	●	●	●	●			●
29	e508012	Washer DIN 125 A 4,3 V2A	●	●	●	●	●			●
30	e324040	Cover relay d2k	●	●	●	●	●			●
31	e500098	Oval-head screw DIN 7985 M 4x10 V2	●	●	●	●	●			●
32	752401	Load relay 50 A 6/10/20-11	●	●	●	●	●			●
33	e508032	Washer DIN 9021 A 5,3 V2A	●	●	●	●	●			●
34	e500091	Oval-head screw DIN 7985 M	●	●	●	●	●			●
35	e362136	Sign "earthing"	●	●	●	●	●			●
36	742732	Cooling element 6/10/2011 d2k	●	●	●	●	●			●
37	771716	Cover opening cooling element 12	●	●	●	●	●			●

Pos.	Article no.	Description	Genius Gaz	Multimax A	Multimax B	Genius	Autoclean	6-11	10-11	20-11



611 Pos. 9 ab Geräte Nr. 443
 Part No. 9 From unit No.443
 Pièce No. 9 A partir de l'appreil No. 443

1011 Pos. 9 ab Geräte Nr. 338
 Part No. 9 From unit No. 338
 Pièce No. 9 A partir de l'appreil No. 338

2011 Pos. 9 ab Geräte Nr. 147
 Part No. 9 From unit No. 147
 Pièce No. 9 A partir de l'appreil No. 147

611 ab Geräte Nr. 456
 From unit No. 456
 A partir de l'appreil No. 456

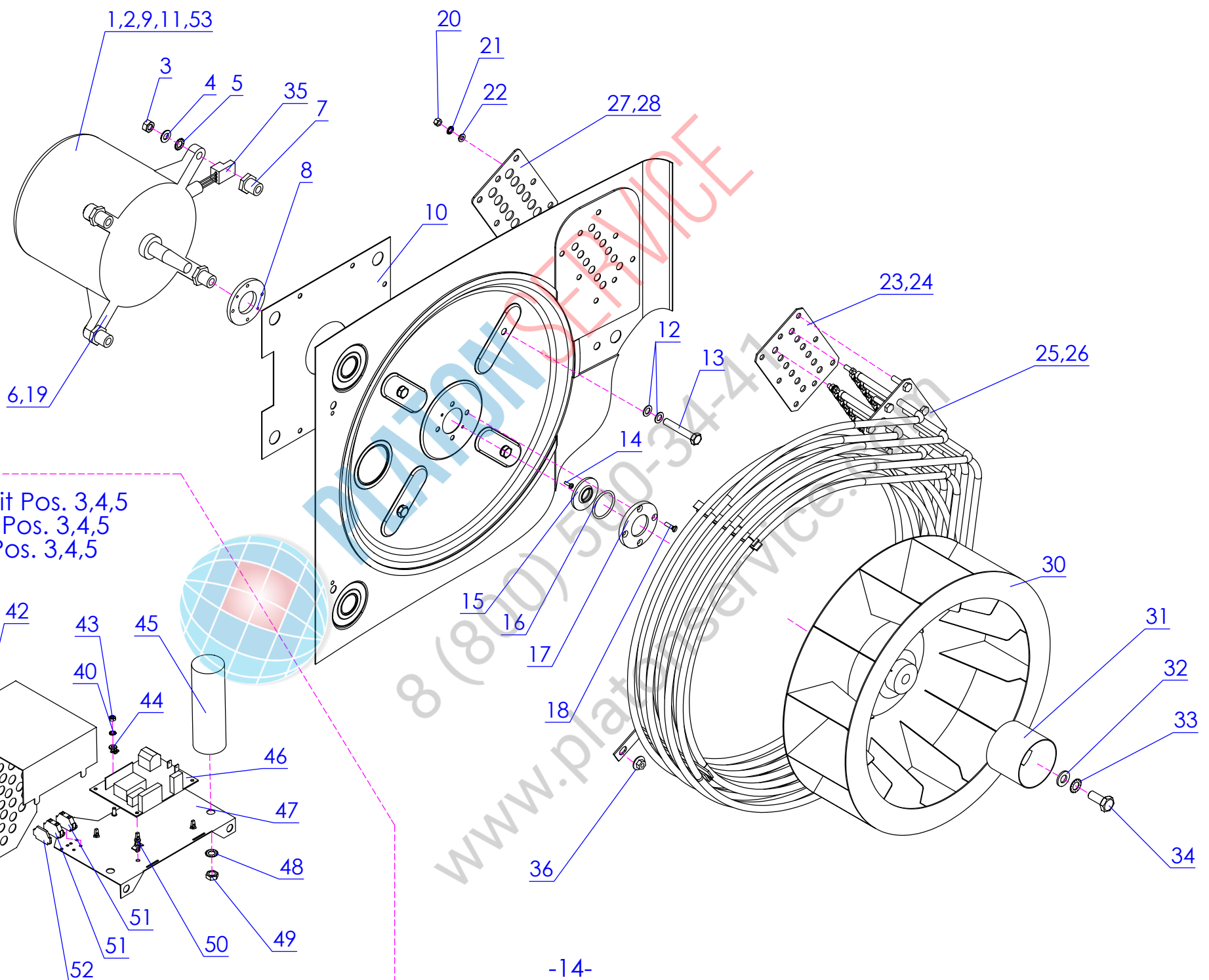
1011 ab Geräte Nr. 366
 From unit No. 366
 A partir de l'appreil No. 366

2011 ab Geräte Nr. 152
 From unit No.152
 A partir de l'appreil No. 152

PLATON SERVICE
 (800) 500-3441
 www.platonservice.com

Pos.	Article no.	Description	Genius Gaz	Multimax A	Multimax B	Genius	Autoclean	6-11	10-11	20-11
1	747998	Zigzag block d2k 61011/ 2011	●	●	●	●		●	●	●
2	e500178	Oval flat-head screw M4 x 12 V2	●	●	●	●	●	●	●	●
3	775061	Bushing door lock d2k 61011,201	●	●	●	●	●	●	●	●
4	e500124	Cup-screw M4x8 V2A with hexag	●	●	●	●	●	●	●	●
5	748765	Handle door lock blue, right 61011	●	●	●	●	●	●		
6	758388	Handle door lock blue left 6/10-11	●	●	●	●	●	●		
7	749532	Handle door lock blue d2k 2011	●	●	●	●	●			●
8	748781	Cap small silver d2k D 37 mm	●	●	●	●	●	●	●	●
9	e500127	Cylindric screw DIN 6912 M6 x 20 V2	●	●	●	●	●	●	●	●
11	766844	Extension for zigzag block d2k	●	●	●	●	●			
12	768464	Threaded pin M6x8 DIN 916	●	●	●	●	●	●	●	●
13	767476	Locking nut for zigzag block	●	●	●	●	●	●	●	●
14	758264	Double zigzag block 61011 201	●		●	●	●	●	●	●
15	758272	Double zigzag block d2k 61011 201	●	●	●	●	●	●	●	●

Pos.	Article no.	Description	Genius Gaz	Multimax A	Multimax B	Genius	Autoclean	6-11	10-11	20-11



befestigt mit Pos. 3,4,5
 fasten with Pos. 3,4,5
 fixer avec Pos. 3,4,5

MA /MB/Genius /Genius Gaz/ 6-11 10-11 20-11

Pos.	Article no.	Description	Genius Gaz	Multimax A	Multimax B	Genius	Autoclean	6-11	10-11	20-11
1	742740	Motor L9 EB 50 4/8 poles 6/10/20-11			●	●	●	●	●	●
2	748501	Motor L9 EB 50 4-poles		●			●	●	●	●
3	e505033	Hexagonal nut ISO 4032 M8 V2A DI	●			●	●	●	●	●
4	e508017	Washer DIN 125 A 8,4 V2A	●	●	●	●	●	●	●	●
5	e510016	Toothed disk DIN 6797 J 8,4 V2A	●	●	●	●	●	●	●	●
6	e390077	Cooling wheel f. motor L9 EB 100/4-8	●	●	●	●	●	●	●	●
7	743615	Distance bushing motor 6/10-11 d2k	●	●	●	●	●	●	●	●
8	e412037	Shaft packing gasket MA	●	●	●	●	●	●	●	●
9	765945	Motor 8 poles EB 50 61011 2011	●			●	●	●	●	●
10	747785	Motor insulating plate 611 1011 2	●	●	●	●	●	●	●	●
11	e316025	Speed counter motor d2k	●	●	●	●	●	●	●	●
12	e427038	Copper gasket	●	●	●	●	●	●	●	●
13	749389	Hexagon cap screw ISO4017 M 8x50 V2A	●	●	●	●	●	●	●	●
14	e500095	Oval-head screw DIN 7985 M 3x10 V2A	●	●	●	●	●	●	●	●
15	e425063	Shaft packing ring 16x41x3 L7	●	●	●	●	●	●	●	●
16	e425066	O-ring 34,59 x 2,62 Viton	●	●	●	●	●	●	●	●
17	e412089	Shaft packing flange E	●	●	●	●	●	●	●	●
18	e500130	Countersunk screw DIN 965 M4 x 16 V2A	●	●	●	●	●	●	●	●
19	e500203	Stud bolt DIN 914 M4 x 8 V2A	●	●	●	●	●	●	●	●
20	e505024	Hexagon nut ISO 4032 M 5 V2A DI	●	●	●	●	●	●	●	●
21	e510014	Toothed disk DIN 6797 J 5,3 V2A	●	●	●	●	●	●	●	●
22	e508002	Washer DIN 125 A 5,3 V2A	●	●	●	●	●	●	●	●
23	749451	Gasket heater element 10/20-11,11	●	●	●	●	●	●	●	●
24	749427	Gasket heater element 6-11 d2k	●	●	●	●	●	●	●	●
25	742414	Heater element 10.5 kW 6-11 d2k	●	●	●	●	●	●	●	●
26	742422	Heater element 21,6 kW 10-11 20-11	●	●	●	●	●	●	●	●
27	757993	Counter flange heater element 10	●	●	●	●	●	●	●	●
28	757985	Counter flange heater element 6-11	●	●	●	●	●	●	●	●
30	743372	Fan wheel 350x110 6/10/20-11	●	●	●	●	●	●	●	●
31	e412075	distribution bushing humidifier,	●	●	●	●	●	●	●	●
32	e508014	Washer DIN 125 A 10,5 V2A	●	●	●	●	●	●	●	●
33	e510017	Toothed disk DIN 6797 J 10,5 V2A	●	●	●	●	●	●	●	●
34	749397	Hexagon cap screw ISO4017 M 10x25 V2A	●	●	●	●	●	●	●	●
35	749281	Plug 3 poles straight	●	●	●	●	●	●	●	●
36	e505117	Disk nut M5 V2A	●	●	●	●	●	●	●	●
39	e500098	Oval-head screw DIN 7985 M 4x10 V2A	●			●	●	●	●	●
40	e510013	Toothed disk DIN 6797 J 4,3 V2A	●			●	●	●	●	●
41	e508012	Washer DIN 125 A 4,3 V2A	●			●	●	●	●	●

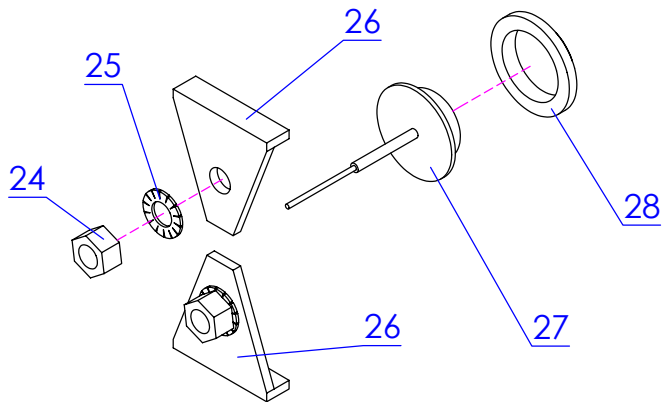
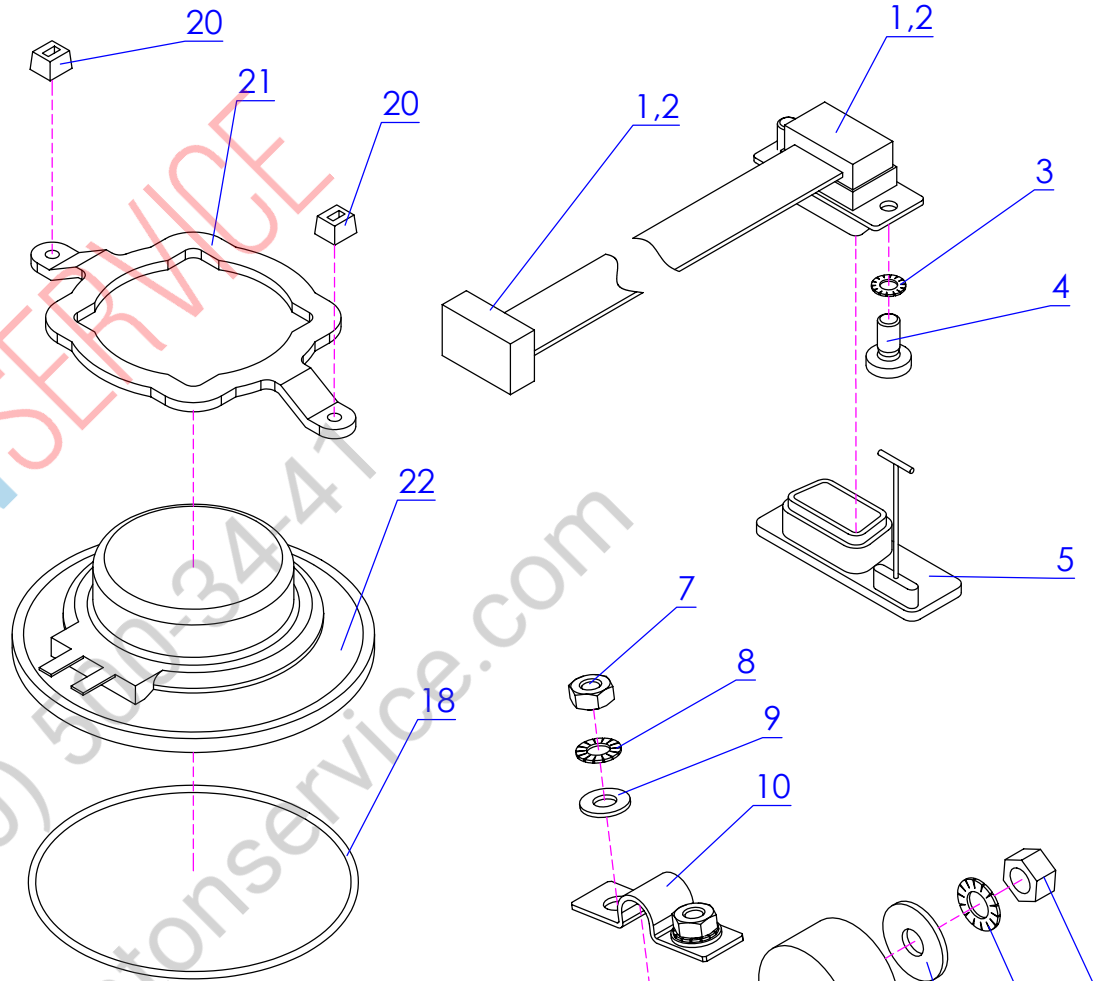
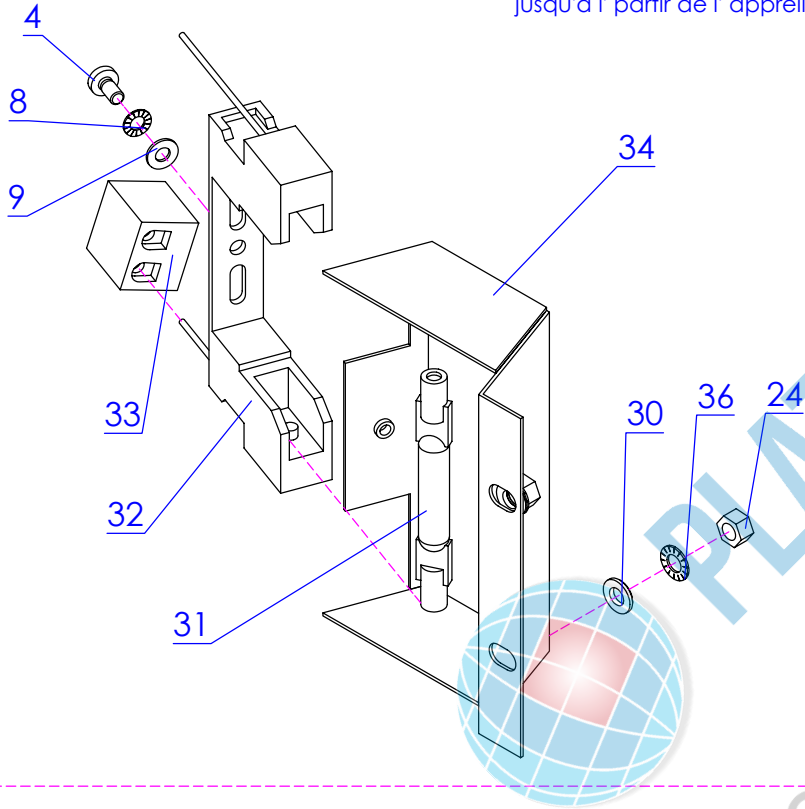
Pos.	Article no.	Description	Genius Gaz	Multimax A	Multimax B	Genius	Autoclean	6-11	10-11	20-11
42	768391	Cover el. board d2k gas	●				●	●	●	●
43	e505031	Hexagonal nut ISO 4032 M4 V2A DI	●				●	●	●	●
44	e362136	Sign "earthing"	●				●	●	●	●
45	765678	Motor condenser 25uF 280V	●				●	●	●	●
46	743992	Automatic gas firing d2k	●				●	●	●	●
46	743992	Automatic gas firing d2k	●				●	●	●	●
47	765961	Mounting plate autom. gas apparatus	●				●	●	●	●
48	e510016	Toothed disk DIN 6797 J 8,4 V2A	●				●	●	●	●
49	e505033	Hexagonal nut ISO 4032 M8 V2A DI	●				●	●	●	●
50	749834	Spacer for control board	●				●	●	●	●
51	e371041	Clamp grey 2 conductors with flange	●				●	●	●	●
52	e371039	End plate	●				●	●	●	●
53	765945	Motor 8 poles EB 50 61011 2011	●				●	●	●	●
####	755761	Star bridge, heating 2,5 bw l= 1	●	●	●	●	●	●	●	●
####	755788	Star bridge, heating 4 b/w, l=15	●	●	●	●	●	●	●	●
####	755796	Star bridge, heating 6 bw l=200	●	●	●	●	●	●	●	●
####	753556	Harness heating MA 6-11 d2k	●				●	●		
####	753564	Harness heating MB/Genius 6-11 d2k	●				●	●	●	
####	753572	Harness heating MA 10-11 d2k		●					●	
####	753580	Harness heating MB/Genius 10-11 d2k	●				●	●	●	
####	755095	Harness heating MA 2011 d2k		●						●
####	753599	Harness heating d2k 2011	●				●	●		●

Achtung! Aufbauänderung siehe Seite 26
Attention! Modified construction see page 26
Attention! Construction modifiée voir page 26

611 bis Geräte Nr. 227
Up to unit No. 227
jusqu'à l' partir de l'appreil No. 227

1011 bis Geräte Nr. 188
Up to unit No. 188
jusqu'à l' partir de l'appreil No. 188

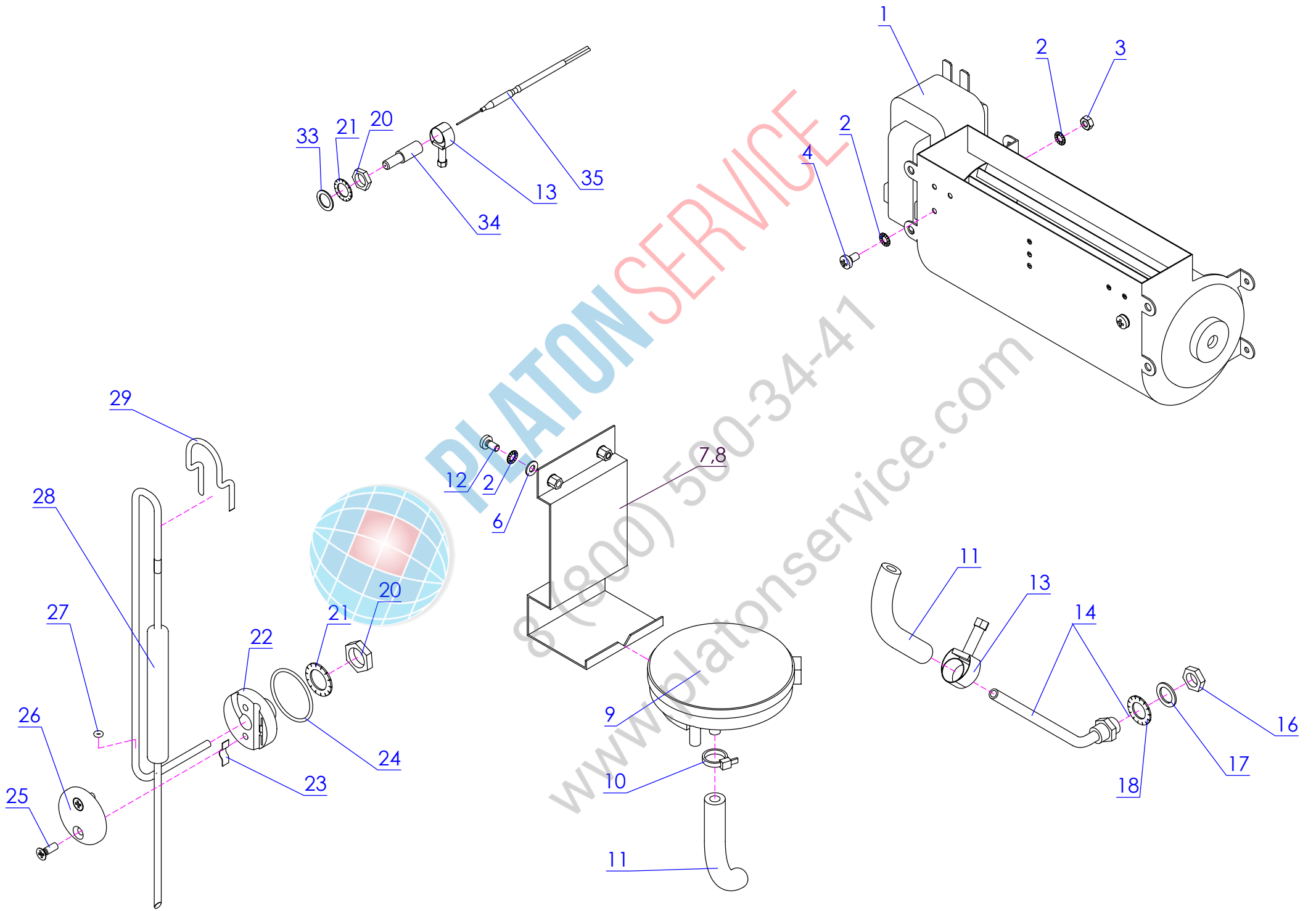
2011 bis Geräte Nr. 109
Up to unit No. 109
jusqu'à l' partir de l' appareil No. 109



MA /MB/Genius /Genius Gaz/ 6-11 10-11 20-11

Pos.	Article no.	Description	Genius Gaz	Multimax A	Multimax B	Genius	Autoclean	6-11	10-11	20-11
1	e302105	Connection cable HACCP RS FBK plu	•		•	•	•			•
2	e302110	Connecting cable HACCP		•			•	•		
3	e510020	Toothed disk DIN 6797 J 3,2 V2A	•	•	•	•	•	•	•	•
4	e500279	Oval-head screw DIN 7985 M3 x 8 V2A	•	•	•	•	•	•	•	•
5	e407073	Cover blue/99 for RS serial interf	•	•	•	•	•	•	•	•
7	e505031	Hexagonal nut ISO 4032 M4 V2A DII	•	•	•	•	•	•	•	•
8	e510013	Toothed disk DIN 6797 J 4,3 V2A	•	•	•	•	•	•	•	•
9	e508012	Washer DIN 125 A 4,3 V2A	•	•	•	•	•	•	•	•
10	e422026	Half clip, core temperat.	•	•	•	•	•	•	•	•
11	e505024	Hexagon nut ISO 4032 M 5 V2A D	•	•	•	•	•	•	•	•
12	e510014	Toothed disk DIN 6797 J 5,3 V2A	•	•	•	•	•	•	•	•
13	e508032	Washer DIN 9021 A 5,3 V2A	•	•	•	•	•	•	•	•
14	e322010	Magnet 20x10 with red cap	•	•	•	•	•	•	•	•
15	e320072	Magnetic switch	•	•	•	•	•	•	•	•
16	e306023	Rubber funnel A2 M for cable eyes	•	•	•	•	•	•	•	•
18	e425214	O-ring 57x1,3, NBR SH 75 black	•	•	•	•	•	•	•	•
20	e422040	Cable binder 160x2.5	•	•	•	•	•	•	•	•
21	758582	Holder loudspeaker d2k	•	•	•	•	•	•	•	•
22	749877	Loudspeaker d2k B/C	•	•	•	•	•	•	•	•
24	e505024	Hexagon nut ISO 4032 M 5 V2A D	•	•	•	•	•	•	•	•
25	e510014	Toothed disk DIN 6797 J 5,3 V2A	•	•	•	•	•	•	•	•
26	e485032	Holder,safety temperature limiter 29x2	•	•	•	•	•	•	•	•
27	e336029	Safety thermal release 1-pole 360	•	•	•	•	•	•	•	•
28	e412073	Centric bushing D 21 x 15 x	•	•	•	•	•	•	•	•
30	e508002	Washer DIN 125 A 5,3 V2A	•	•	•	•	•	•	•	•
31	742805	Halogen rod lamp 230V/60W conversion	•	•	•	•	•	•	•	•
32	742791	Lamp socket	•	•	•	•	•	•	•	•
33	e371028	Light clamp 15 A 2 poles	•	•	•	•	•	•	•	•
34	742236	Reflector d2k illumination	•	•	•	•	•	•	•	•

Pos.	Article no.	Description	Genius Gaz	Multimax A	Multimax B	Genius	Autoclean	6-11	10-11	20-11

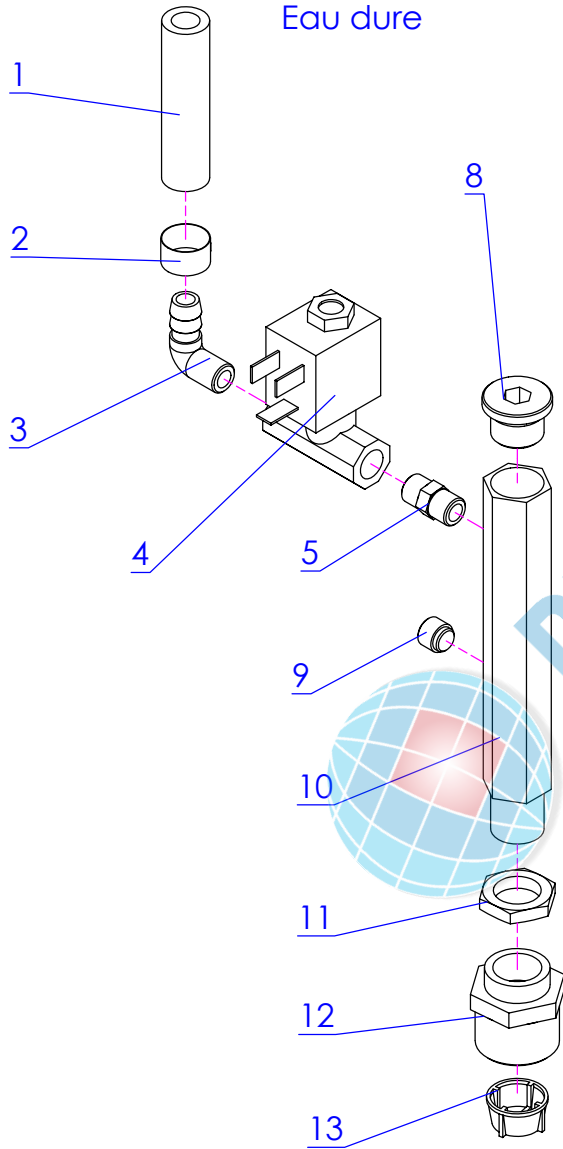


MA /MB/Genius /Genius Gaz/ 6-11 10-11 20-11

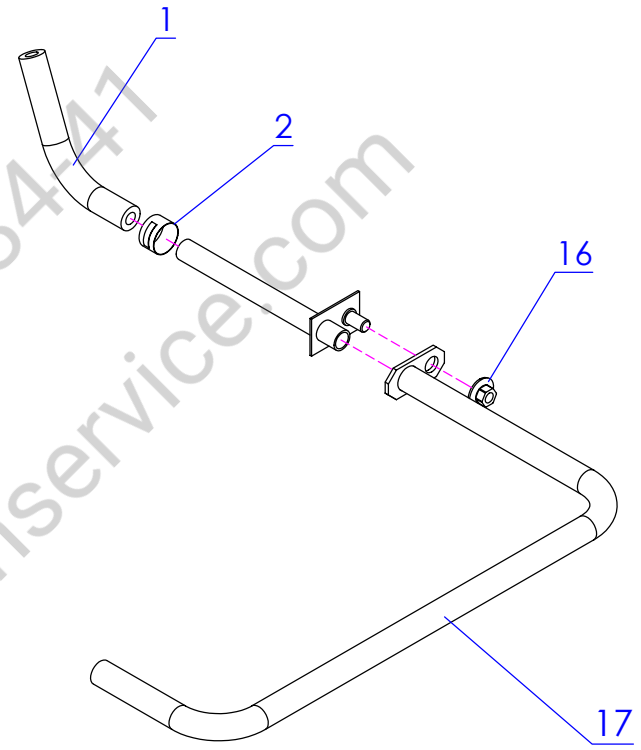
Pos.	Article no.	Description	Genius Gaz	Multimax A	Multimax B	Genius	Autoclean	6-11	10-11	20-11
1	e390023	Cross flow fan 180 mm	●	●	●	●	●			●
2	e510013	Toothed disk DIN 6797 J 4,3 V2A	●	●	●	●	●	●	●	●
3	e505031	Hexagonal nut ISO 4032 M4 V2A DI	●	●	●	●	●	●	●	●
4	e500091	Oval-head screw DIN 7985 N	●	●	●	●	●	●	●	●
6	e508012	Washer DIN 125 A 4,3 V2A	●	●	●	●	●	●	●	●
7	745626	Holder differential pressure pr	●	●	●	●	●	●	●	
8	757918	Holder probe pressure differential	●	●	●	●	●			●
9	752479	Differential pressure probe d2k	●	●	●	●	●	●	●	●
10	e422040	Cable binder 160x2.5	●	●	●	●	●	●	●	●
11	e444055	Silicone hose 6X3 transparent	●	●	●	●	●	●	●	●
12	e500091	Oval-head screw DIN 7985 N	●	●	●	●	●	●	●	●
13	e422017	Hose clip D 14	●	●	●	●	●	●	●	●
14	748919	Threaded nozzle, differ- differential pres	●	●	●	●	●	●	●	●
16	e505102	Nut G 1/8	●	●	●	●	●	●	●	●
17	e427020	Copper gasket heater element; D	●	●	●	●	●	●	●	●
18	e510017	Toothed disk DIN 6797 J 10,5 V2A	●	●	●	●	●	●	●	●
20	e505045	Nut 1/4"	●	●	●	●	●	●	●	●
21	e510018	Toothed disk DIN 6797 J 12,5 V2A	●	●	●	●	●	●	●	●
22	743356	Holder core temperature part 2 d2k	●	●	●	●	●	●	●	●
23	743364	Spring holder core temp. d2k	●	●	●	●	●	●	●	●
24	743585	O-ring 29,87 x 178 silicon d2k	●	●	●	●	●	●	●	●
25	e500130	Countersunk screw DIN 965 M4 x 16 V2	●	●	●	●	●	●	●	●
26	743348	Holder core temperature part 1 d2k	●	●	●	●	●	●	●	●
27	e425020	O-ring, 3,68x1,78 VITON	●	●	●	●	●	●	●	●
28	752363	Core temperature probe L=3500 mn	●	●	●	●	●	●	●	●
29	745464	Protecting sieve NiCrNi probe with	●	●	●	●	●	●	●	●
33	e427059	Sealing ring nickeled CU 13 x 19 x 1	●	●	●	●	●	●	●	●
34	e410013	Teflon insert NiCrNi sensor MD	●	●	●	●	●	●	●	●
35	e316004	Thermoelement sensor Ni-Cr-Ni MI	●	●	●	●	●	●	●	●
####	753947	Harness probe 6/10-11 d2k	●	●	●	●	●	●	●	
####	e304354	Harness probe Genius 2011 d2k	●			●	●			●

Pos.	Article no.	Description	Genius Gaz	Multimax A	Multimax B	Genius	Autoclean	6-11	10-11	20-11

Hartwasser
Hard water
Eau dure

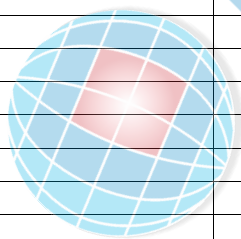


PLATON SERVICE
8 (800) 500-3447
www.platonservice.com



MA /MB/Genius /Genius Gaz/ 6-11 10-11 20-11

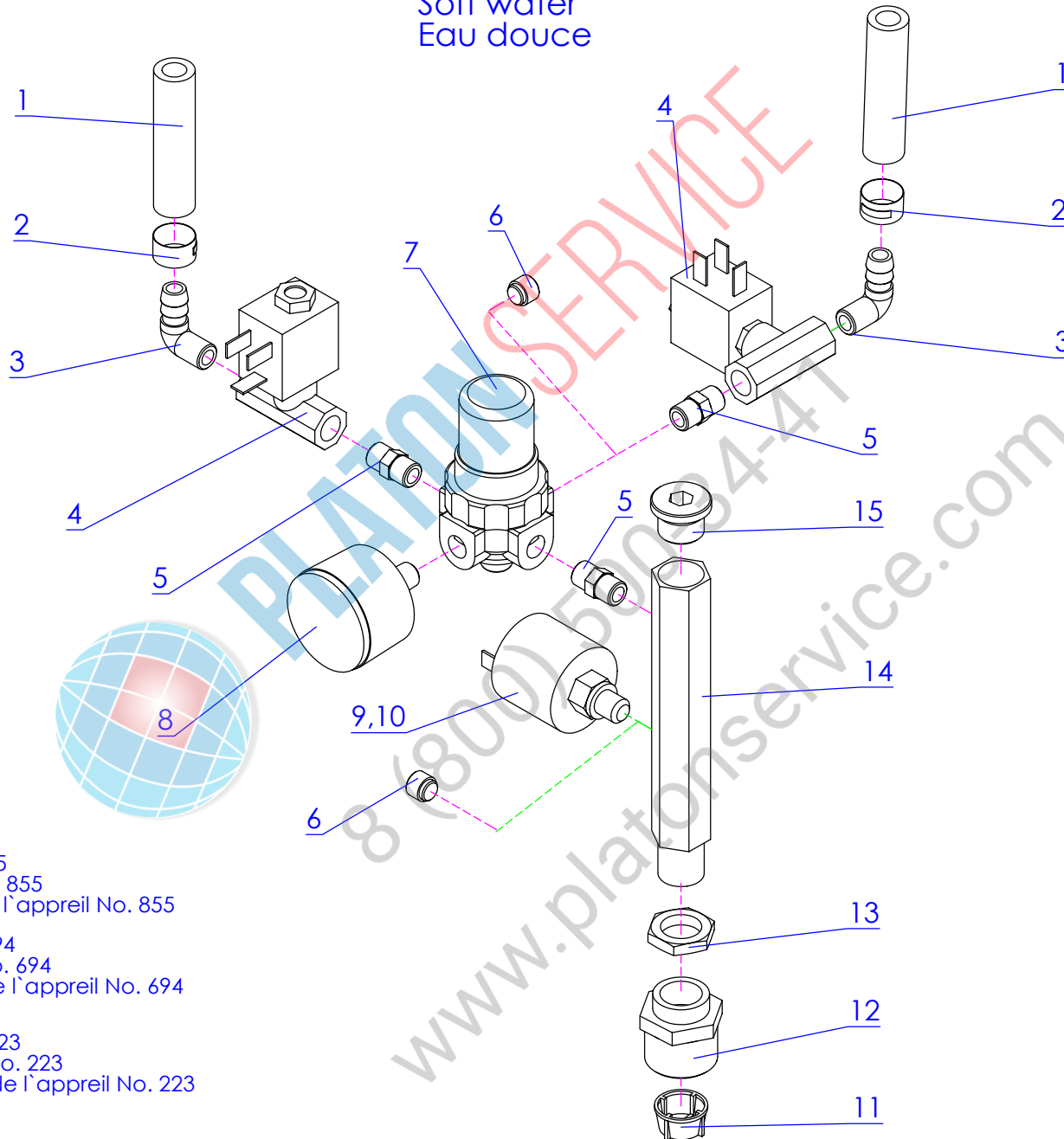
Pos.	Article no.	Description	Genius Gaz	Multimax A	Multimax B	Genius	Autoclean	6-11	10-11	20-11
1	e444050	Silicon hose 9,0x3,0 mm	●		●	●	●	●	●	●
2	e422017	Hose clip D 14	●		●	●	●	●	●	●
3	e440045	Angle stud 9 mm conn	●		●	●	●	●	●	●
4	e436040	Solenoid-valve type 2000 2/2-way dir	●		●	●	●	●	●	●
5	e440156	Double nipple, conical 1/8K	●		●	●		●	●	●
8	754498	Locking screw 3/8"	●		●	●		●	●	●
9	e440101	Locking screw 1/8"	●		●	●		●	●	●
10	779660	Vertial pipe d2k	●		●	●		●	●	●
11	e505057	Hexagonal nut 3/8" 4,5 nickeled	●		●	●	●	●	●	●
12	e440039	Reduction piece A 3/4" I 3/8"	●		●	●	●	●	●	●
13	e418017	Mudguard	●		●	●	●	●	●	●
16	e505117	Disk nut M5 V2A	●		●	●	●	●	●	●
17	743267	Water supply pipe 6/10/20-11	●		●	●	●	●	●	●



PLATONSERVICE
 8 (800) 500-34-41
 www.platonservice.com

Pos.	Article no.	Description	Genius Gaz	Multimax A	Multimax B	Genius	Autoclean	6-11	10-11	20-11

Weichwasser
Soft water
Eau douce



611 Pos. 9 ab Geräte Nr. 855
Part No. 9 From unit No. 855
Pièce No. 9 A partir de l'appareil No. 855

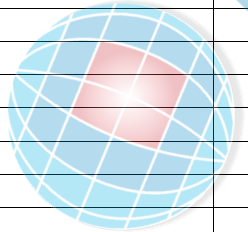
1011 Pos. 9 ab Geräte Nr. 694
Part No. 9 From unit No. 694
Pièce No. 9 A partir de l'appareil No. 694

2011 Pos. 9 ab Geräte Nr. 223
Part No. 9 From unit No. 223
Pièce No. 9 A partir de l'appareil No. 223

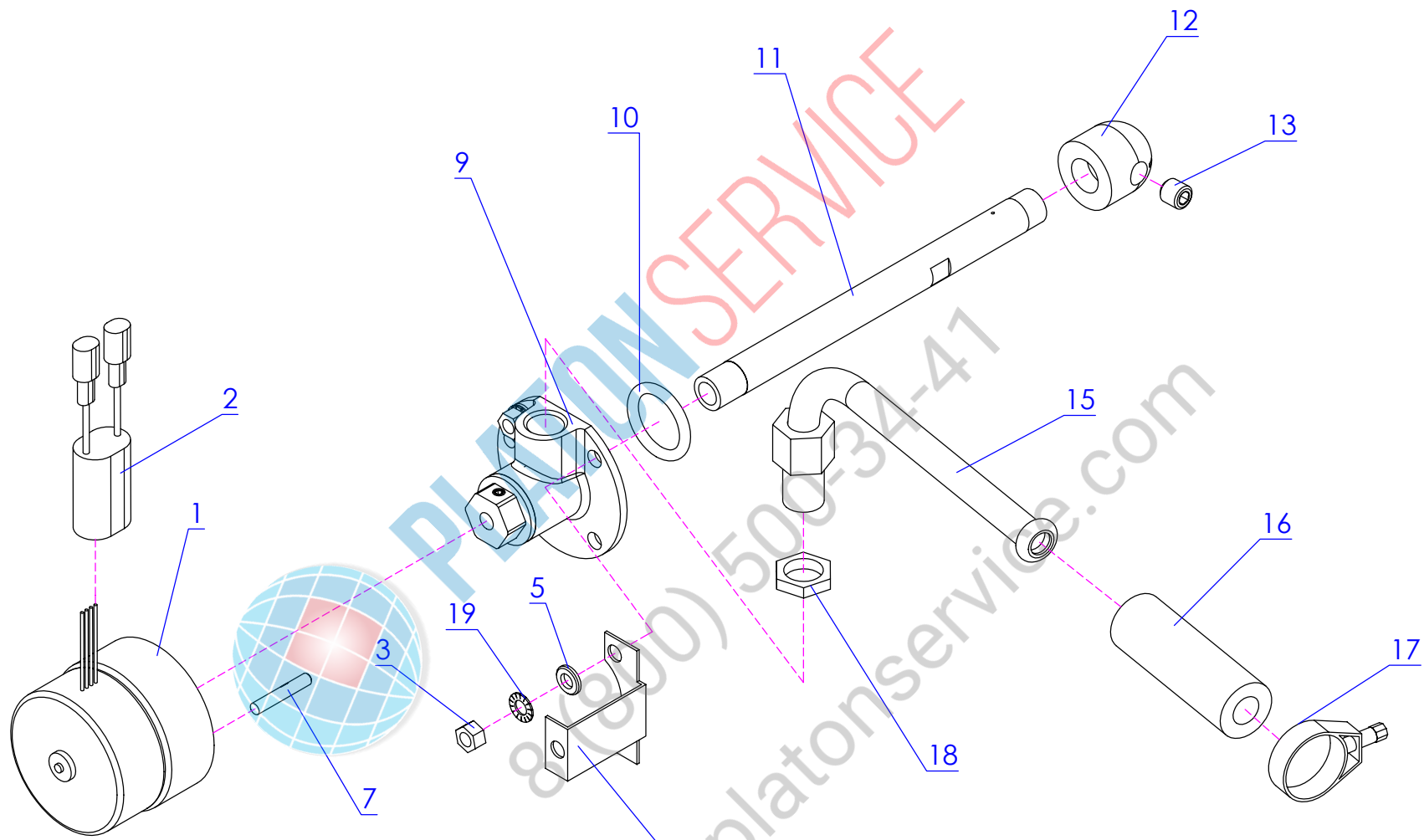
MA /MB/Genius /Genius Gaz/ 6-11 10-11 20-11

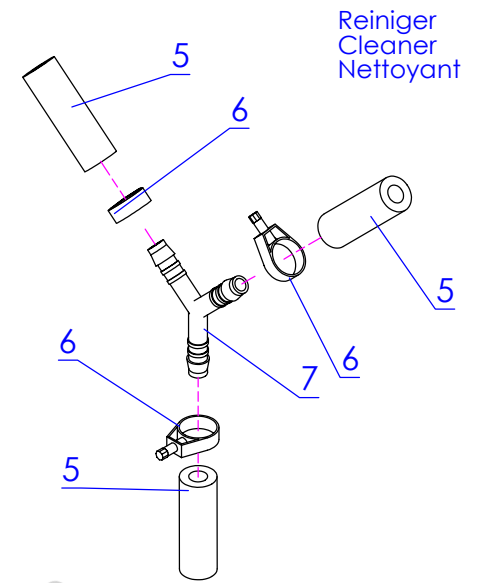
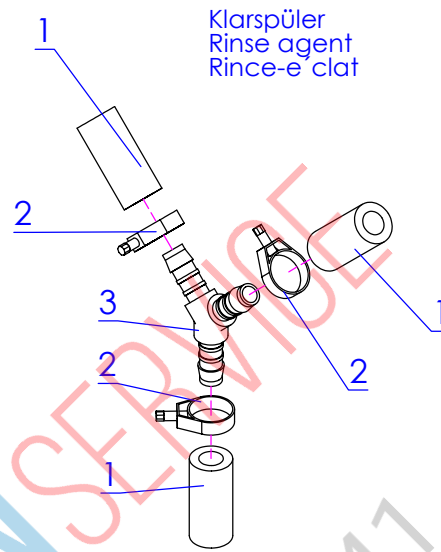
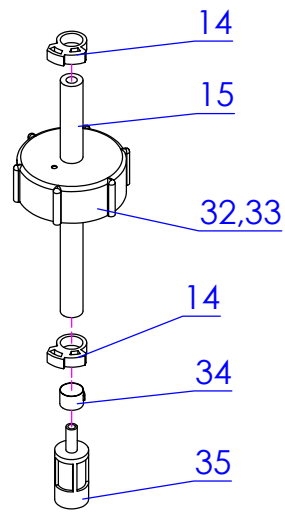
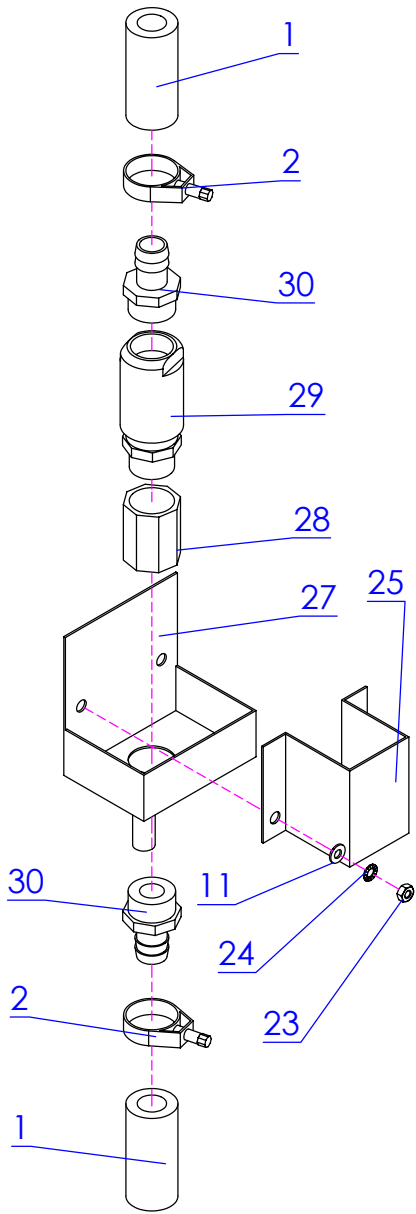
Pos.	Article no.	Description	Genius Gaz	Multimax A	Multimax B	Genius	Autoclean	6-11	10-11	20-11
1	e444050	Silicon hose 9,0x3,0 mm	●	●	●	●		●	●	●
2	e422017	Hose clip D 14	●	●	●	●		●	●	●
3	e440045	Angle stud 9 mm conn	●	●	●	●		●	●	●
4	e436040	Solenoid-valve type 2000 2/2-way dir	●	●	●	●		●	●	●
5	e440156	Double nipple, conical 1/8K	●	●	●	●		●	●	●
6	e440101	Locking screw 1/8"		●				●	●	
7	e598198	Conversion kit pressure reducer	●	●	●	●		●	●	●
8	e348009	Pressure gauge 0-4,0 bar	●	●	●	●		●	●	●
9	e598189	Conversion kit push button with	●		●	●				●
10	772305	Pressure switch 10 bar AC	●		●	●				
11	e418017	Mudguard	●	●	●	●		●	●	●
12	e440039	Reduction piece A 3/4" I 3/8"	●	●	●	●		●	●	●
13	e505057	Hexagonal nut 3/8" 4,5 nickele	●	●	●	●		●	●	●
14	779660	Vertial pipe d2k	●	●	●	●		●	●	●
15	754498	Locking screw 3/8"	●	●	●	●		●	●	●

Pos.	Article no.	Description	Genius Gaz	Multimax A	Multimax B	Genius	Autoclean	6-11	10-11	20-11



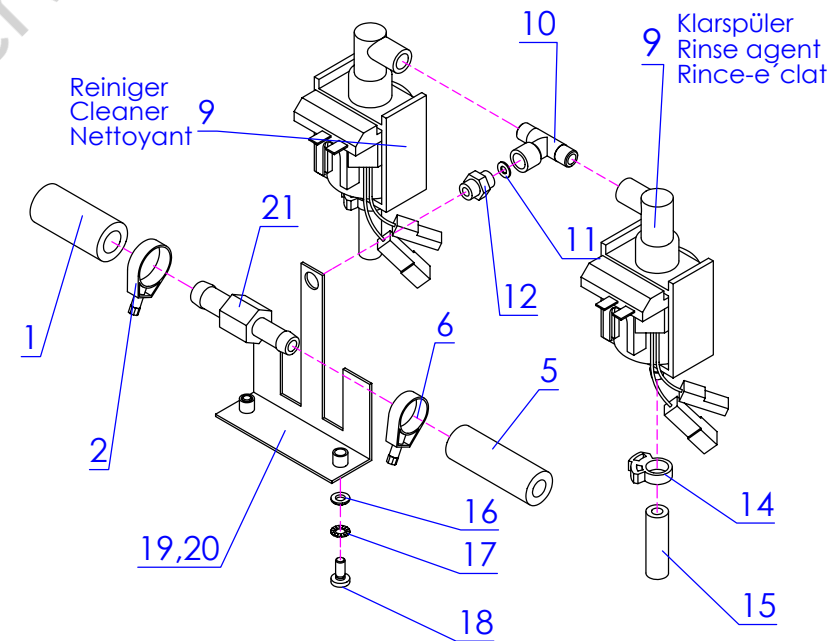
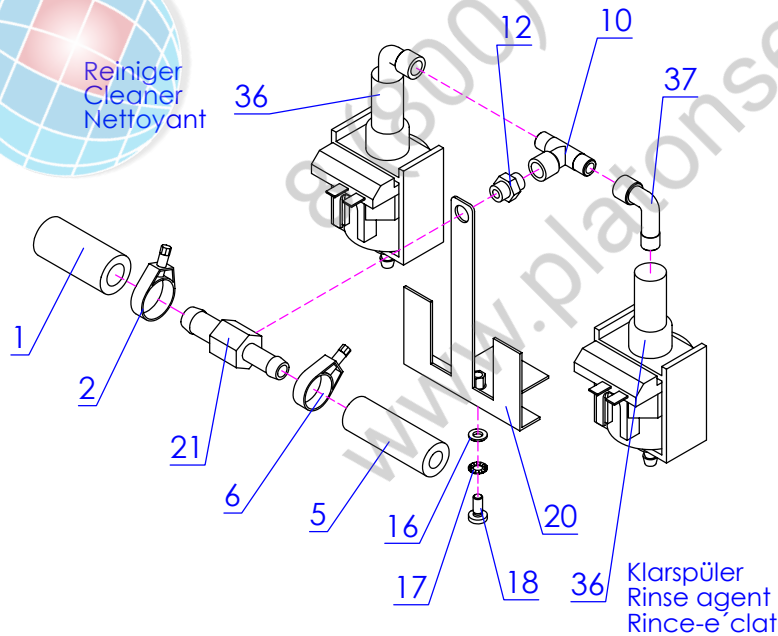
PLATON SERVICE
 8 (800) 500-34-41
 www.platonservice.com





611 ab Geräte Nr. 789
From unit No. 789
A partir de l'appareil No. 789
1011 ab Geräte Nr. 641
From unit No. 641
A partir de l'appareil No. 641
2011 ab Geräte Nr. 218
From unit No. 218
A partir de l'appareil No. 218

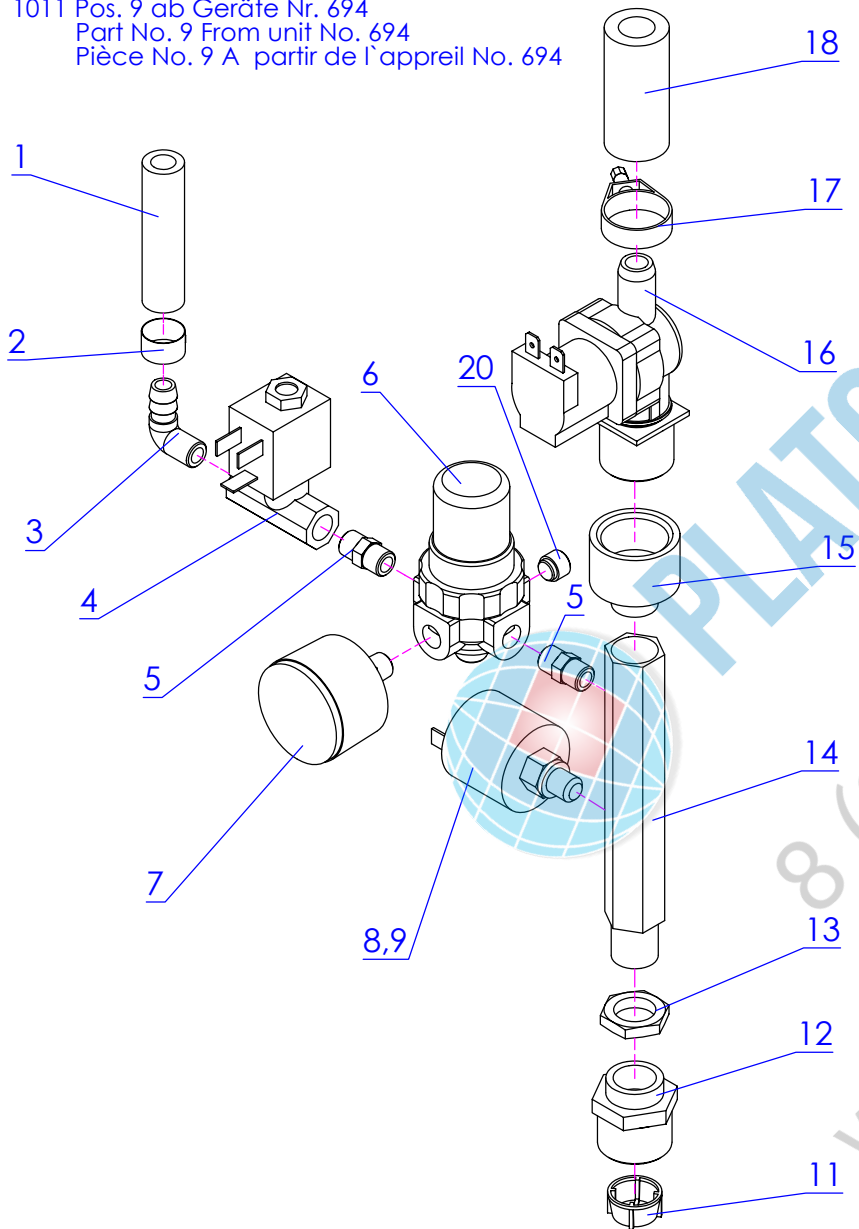
611 bis Geräte Nr. 788
Upto unit No. 788
jusqu'à partir de e'appareil No. 788
1011 bis Geräte Nr. 640
Part Upto unit No. 640
jusqu'à partir de e'appareil No. 640
2011 bis Geräte Nr. 217
Upto unit No. 217
jusqu'à partir de e'appareil No. 217



6-11,10-11

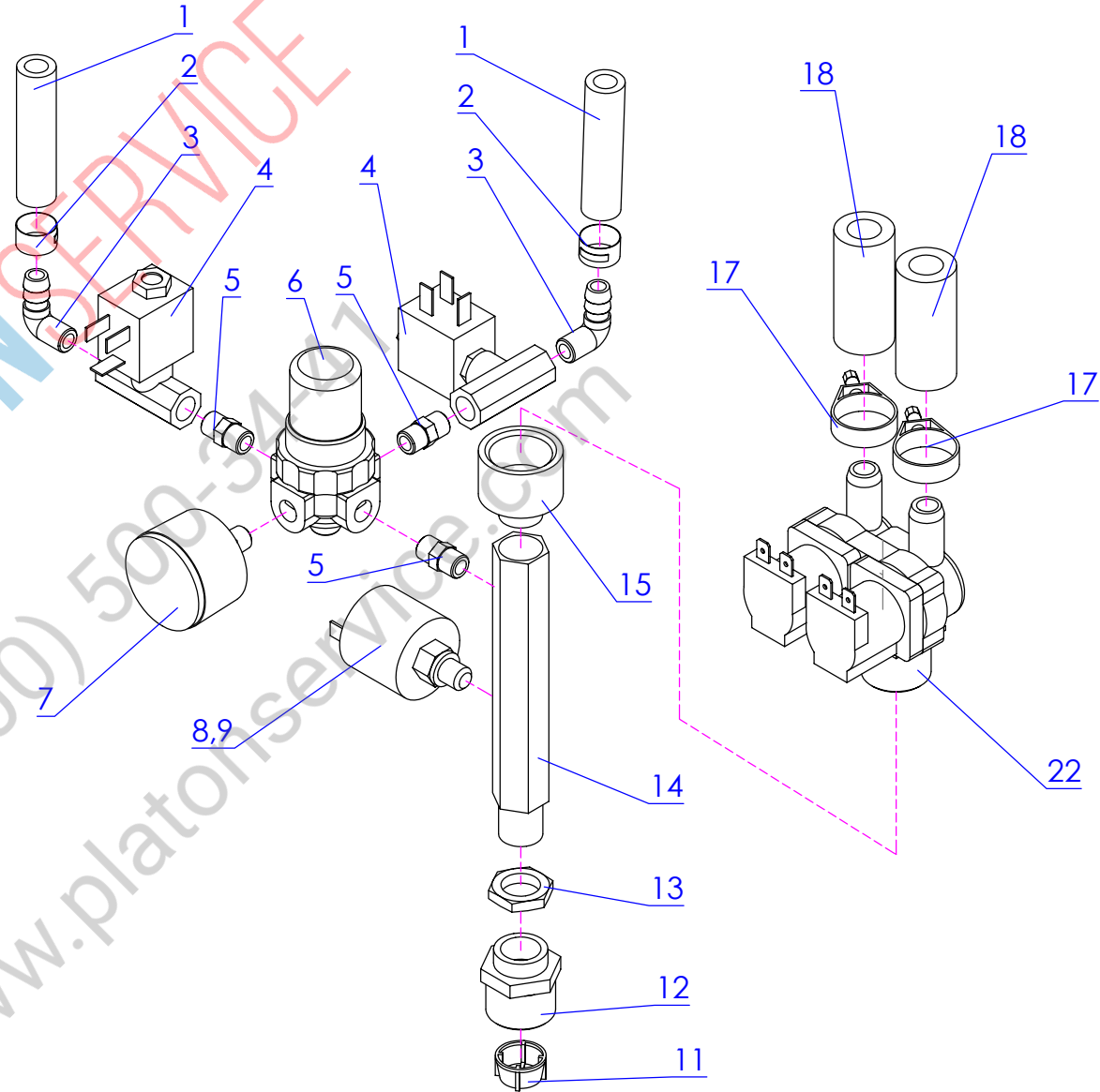
611 Pos. 9 ab Geräte Nr. 855
 Part No. 9 From unit No. 855
 Pièce No. 9 A partir de l'appareil No. 855

1011 Pos. 9 ab Geräte Nr. 694
 Part No. 9 From unit No. 694
 Pièce No. 9 A partir de l'appareil No. 694



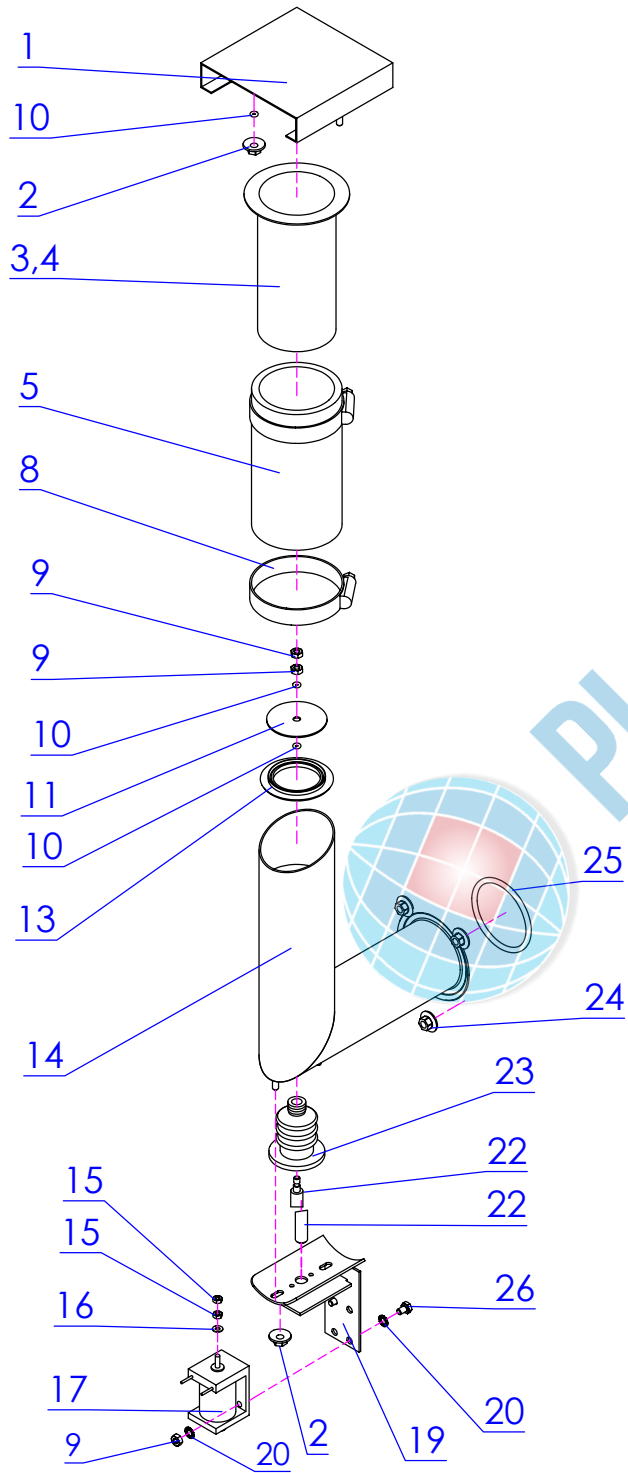
20-11

2011 Pos. 9 ab Geräte Nr. 223
 Part No. 9 From unit No. 223
 Pièce No. 9 A partir de l'appareil No. 223

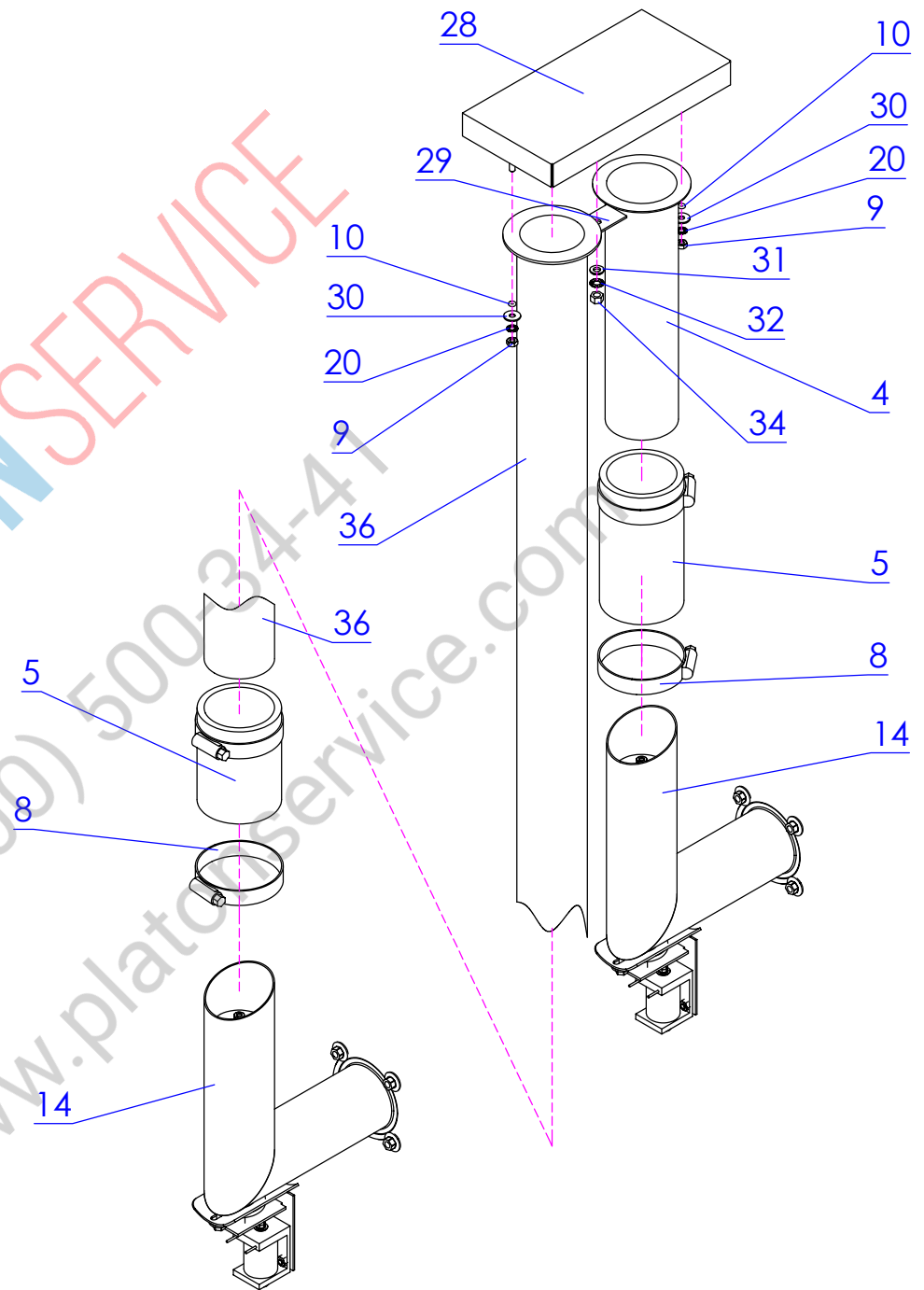


6-11 10-11

20-11



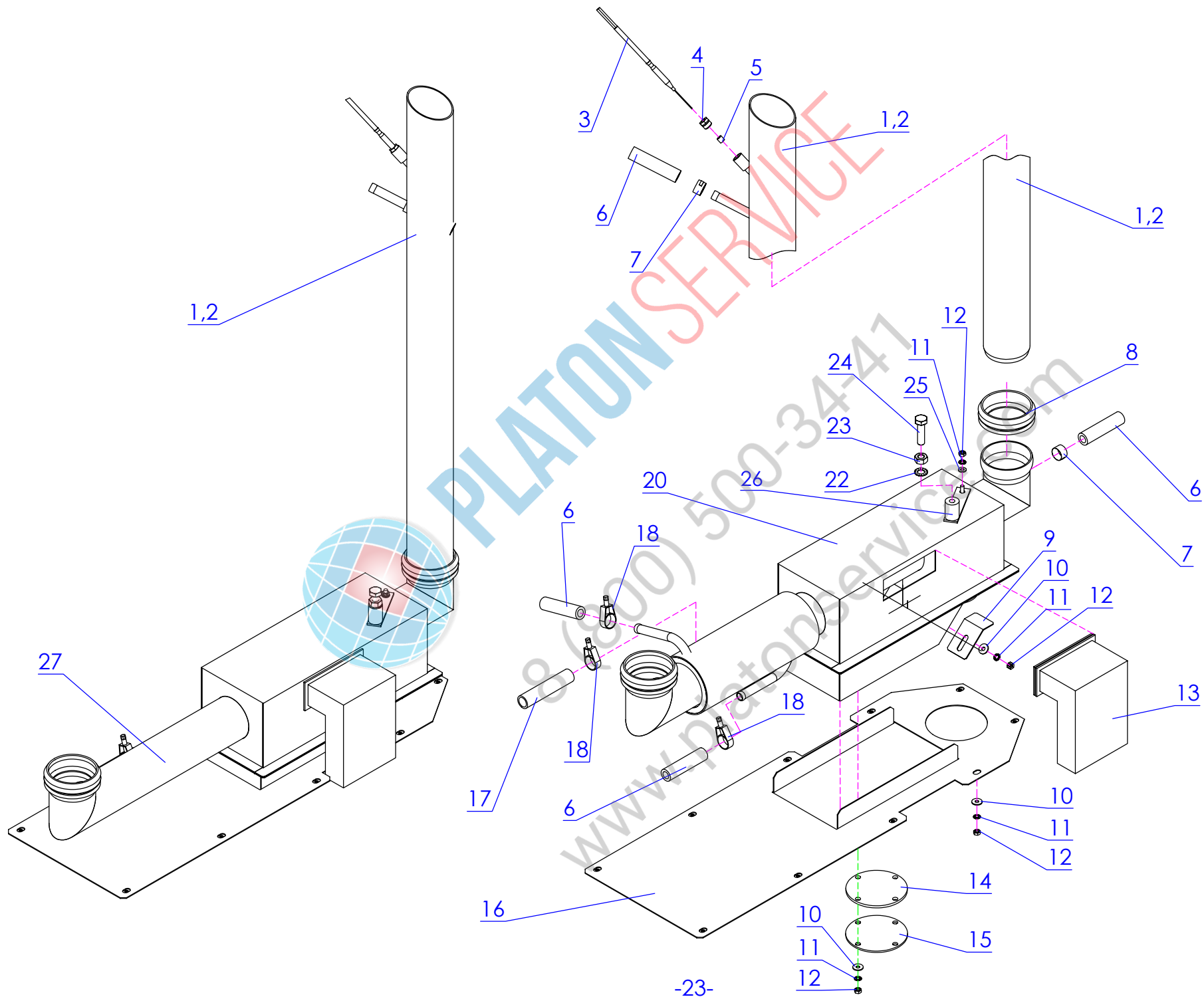
PLATON SERVICE
 8 (800) 500-34-41
 www.platonservice.com

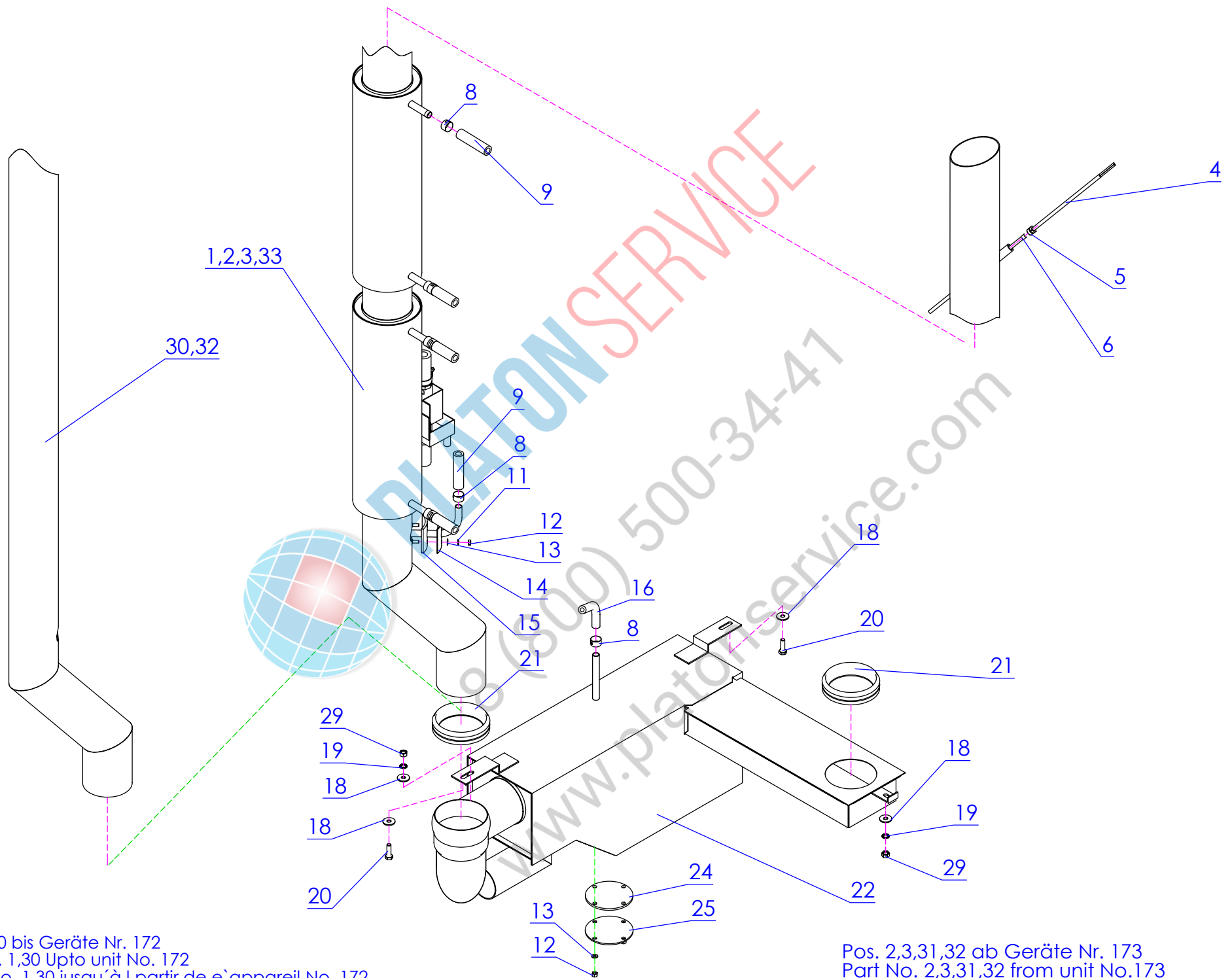


MA/MB/Genius/Genius Gaz/ 6-11 10-11 20-11

Pos.	Article no.	Description	Genius Gaz	Multimax A	Multimax B	Genius	Autoclean	6-11	10-11	20-11
1	e483177	Air intake cap ED	●	●	●	●	●	●	●	
2	e505077	Disk nut M4 A 2	●	●	●	●	●	●	●	●
3	e442186	Air inlet pipe 110 mm	●	●	●	●	●	●		
4	e442187	Air inlet pipe 205 mm	●	●	●	●	●		●	
5	e444042	Silicon hose d=50x5	●	●	●	●	●	●	●	●
8	e422057	Hose clamp 40-60 mm	●	●	●	●	●	●	●	●
9	e505031	Hexagonal nut ISO 4032 M4 V2A DI	●	●	●	●	●	●	●	●
10	e425020	O-ring, 3,68x1,78 VITON	●	●	●	●	●	●	●	●
11	e483163	Flap supply air ED	●	●	●	●	●	●	●	●
13	e425169	Gasket air inlet tube ED	●	●	●	●	●	●	●	●
14	e442181	Air inlet pipe EDB/EDC	●	●	●	●	●	●	●	●
15	e505030	Hexagon nut ISO 4032 M 3 V2A DIN 93	●	●	●	●	●	●	●	●
16	e508005	Washer DIN 125 A 3,2 V2A	●	●	●	●	●	●	●	●
17	e322024	Lifting magnet air flap EB 30, ED,	●	●	●	●	●	●	●	●
19	e483164	Supporting plate compl. supply air t	●	●	●	●	●	●	●	●
20	e510013	Toothed disk DIN 6797 J 4,3 V2A	●	●	●	●	●	●	●	●
22	e403053	Lifting rod air supply ED	●	●	●	●	●	●	●	●
23	e427060	Accordion tube silicon grease resi	●	●	●	●	●	●	●	●
24	e505117	Disk nut M5 V2A	●	●	●	●	●	●	●	●
25	757071	Gasket,supply air cooking chamber 6	●	●	●	●	●	●	●	●
26	e500264	Hexagon cap screw ISO4017 M4x6 V2A	●	●	●	●	●	●	●	●
28	751987	Double cap supply air d2k	●	●	●	●	●	●	●	●
28	751987	Cap door lock 12/20-21 d2k	●	●	●	●	●	●	●	●
29	757217	Holding plate air inlet 20-11 20-2	●	●	●	●	●	●	●	●
30	e508031	Washer DIN 9021 A 4,3 V2A	●	●	●	●	●	●	●	●
31	e508002	Washer DIN 125 A 5,3 V2A	●	●	●	●	●	●	●	●
32	e510014	Toothed disk DIN 6797 J 5,3 V2A	●	●	●	●	●	●	●	●
34	e505024	Hexagon nut ISO 4032 M 5 V2A DI	●	●	●	●	●	●	●	●
36	756946	Connecting tube air inlet Ed 20-11/2	●	●	●	●	●			●

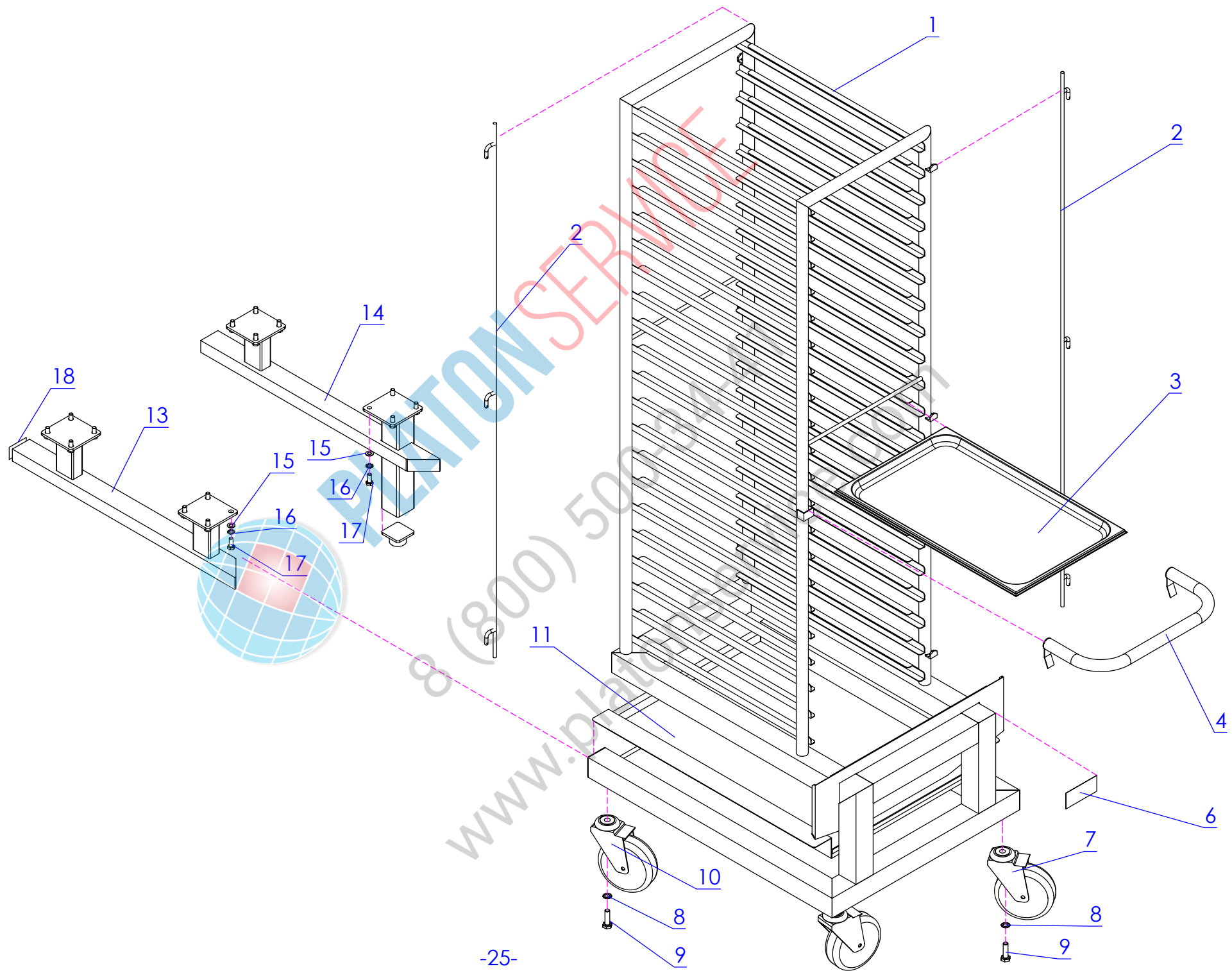
Pos.	Article no.	Description	Genius Gaz	Multimax A	Multimax B	Genius	Autoclean	6-11	10-11	20-11





Pos. 1,30 bis Geräte Nr. 172
 Part No. 1,30 Upto unit No. 172
 Pièce No. 1,30 jusqu'à l'appareil No. 172

Pos. 2,3,31,32 ab Geräte Nr. 173
 Part No. 2,3,31,32 from unit No.173
 Pièce No. 2,3,31,32 à partir de l'appareil No. 173

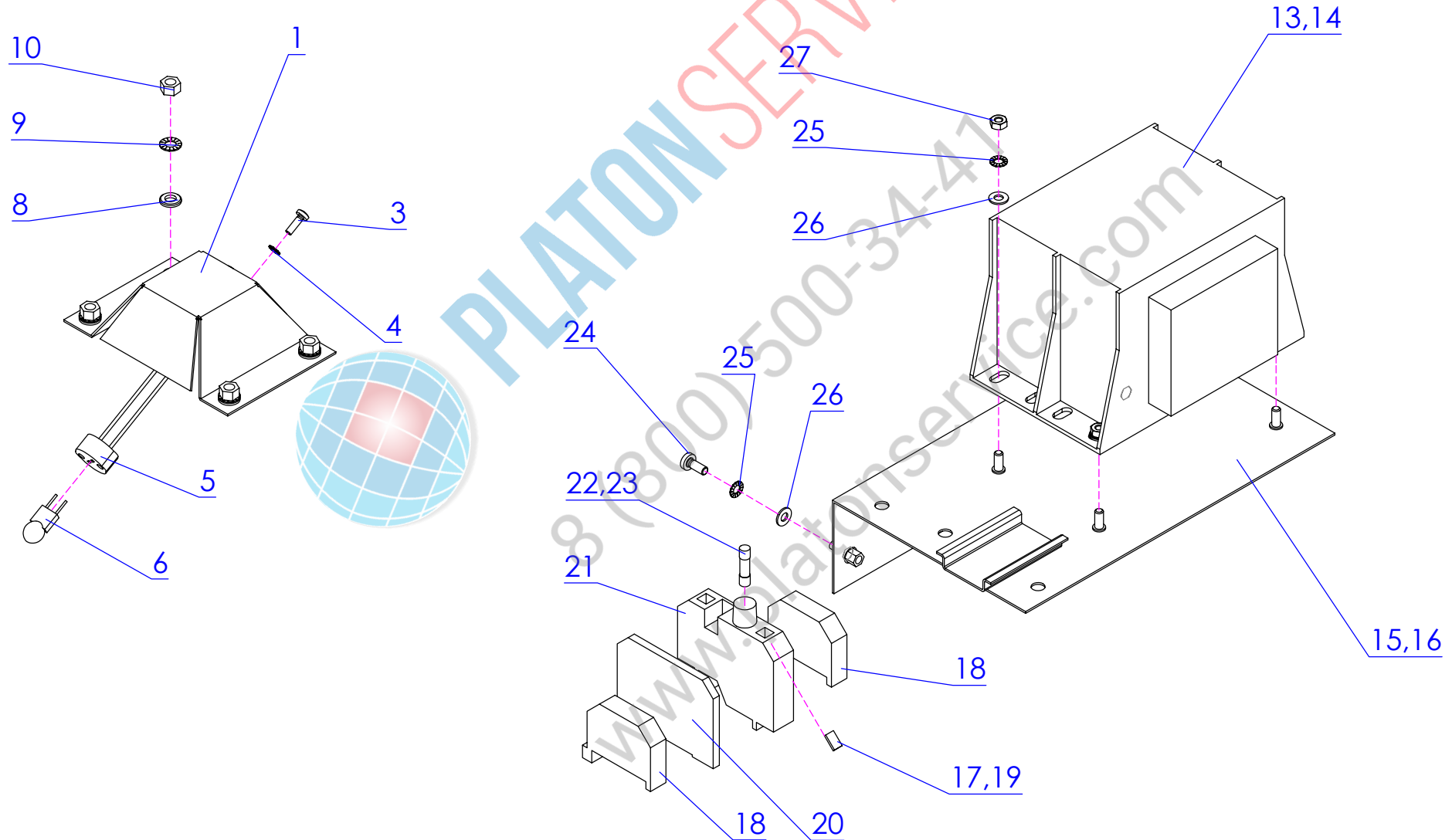


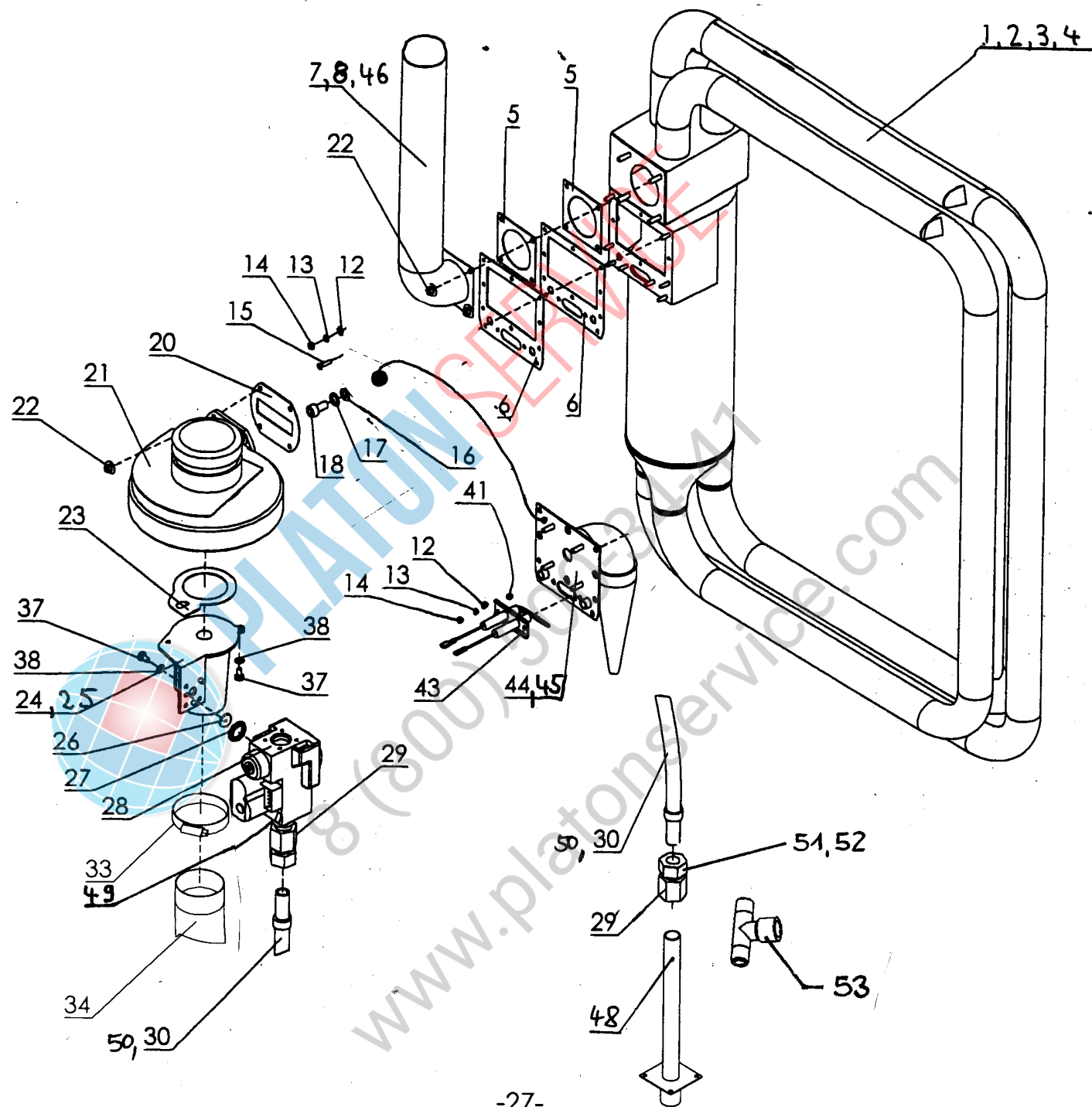
Achtung! Aufbauänderung siehe Seite 15
Attention! Modified construction see page 15
Attention! Construction modifiée voir page 15

611 ab Geräte Nr. 228
From unit No. 228
A partir de l'appareil No. 228

1011 ab Geräte Nr. 189
From unit No. 189
A partir de l'appareil No. 189

2011 ab Geräte Nr. 110
From unit No. 110
A partir de l'appareil No. 110





MA/MB/Genius/Genius Gaz/ 6-11 10-11 20-11

Pos.	Article no.	Description	Genius Gaz	Multimax A	Multimax B	Genius	Autoclean	6-11	10-11	20-11
1	744042	Heat exchanger gas right 1011 2011	●				●	●	●	●
2	762733	Heat exchanger gas right 611 d2k	●				●	●		
3	742597	Heat exchanger gas, left 6-11 d2k	●				●	●		
4	765767	Heat exchanger gas left 1011 2011	●				●		●	●
5	742678	Gasket/exhaust gas flange 6/10/20-11	●				●	●	●	●
6	742651	Gasket/burner unit 6/10/20-11	●				●	●	●	●
7	744026	Exhaust gas pipe 1011 d2k	●				●		●	●
8	742694	Exhaust gas pipe 6-11 d2k	●				●	●		
12	e508012	Washer DIN 125 A 4,3 V2A	●				●	●	●	●
13	e510013	Toothed disk DIN 6797 J 4,3 V2A	●				●	●	●	●
14	e505031	Hexagonal nut ISO 4032 M4 V2A DI	●				●	●	●	●
15	e500130	Countersunk screw DIN 965 M4 x 16 V2	●				●	●	●	●
16	e427038	Copper gasket	●				●	●	●	●
17	e510016	Toothed disk DIN 6797 J 8,4 V2A	●				●	●	●	●
18	e500263	Cheese head screw DIN 912 M8x15 VA	●				●	●	●	●
20	742716	Gasket/fan gas d2k	●				●	●	●	●
21	742686	Radial fan gas d2k	●				●	●	●	●
22	e505117	Disk nut M5 V2A	●				●	●	●	●
23	744085	Gasket Venturi d2k	●				●	●	●	●
24	743925	Venturi 611 d2k	●				●	●		
25	743933	Venturi 1011 2011 d2k	●				●		●	●
26	743984	Nozzle liquid gas Venturi 1011 2011	●				●	●	●	●
27	743941	Set of gaskets d2k gas regulat	●				●	●	●	●
28	744050	Gas regulating valve d2k	●				●	●	●	●
29	e440170	Partition screwing gas d2k	●				●	●	●	●
30	e444062	Hose d2k gas	●				●	●	●	●
33	e422057	Hose clamp 40-60 mm	●				●	●	●	●
34	e444065	Air hose DN 51 polyurethar	●				●	●	●	●
37	e500105	Oval-head screw DIN 7985 N	●				●	●	●	●
38	e510014	Toothed disk DIN 6797 J 5,3 V2A	●				●	●	●	●
41	742724	Gasket/electrode block d2k	●				●	●	●	●
43	768979	Electrode block 61011 d2k burner	●				●	●	●	●
44	770973	Burner, conical 611 d2k	●				●	●	●	●
45	770981	Burner, conical 10-2011 d2k	●				●	●	●	●
46	771619	Exhaust gas pipe compl. bottom 201	●				●		●	●
48	771694	Vertical pipe compl. gas d2k	●				●			
49	770914	Flange straight 1/2"	●				●			
50	774367	Hose d2k gas	●				●	●	●	●

Pos.	Article no.	Description	Genius Gaz	Multimax A	Multimax B	Genius	Autoclean	6-11	10-11	20-11
51	773832	Function nut VA RD 15	●				●	●	●	●
52	773840	Function nut VA RD 22	●				●	●	●	●
53	773867	T-reducer D22-D15-D15 without nut	●				●	●	●	●

